

# User's Manual

## FlexScan® EV2450/EV2455

Color LCD Monitor

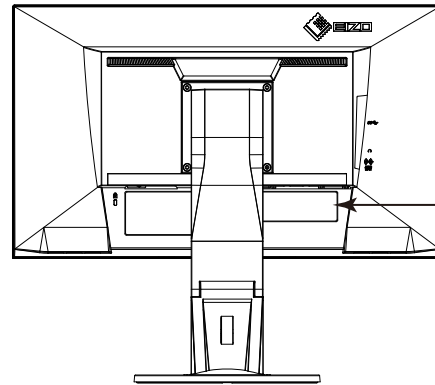
### Important



Please read PRECAUTIONS, this User's Manual, and the Setup Guide (separate volume) carefully to familiarize yourself with safe and effective usage.

- Please refer to the Setup Guide for basic information ranging from connection of the monitor to a PC to using the monitor.
- The latest User's Manual is available for download from our web site:  
[www.eizoglobal.com](http://www.eizoglobal.com)



## Location of Caution Statement



**CAUTION**  
RISK OF ELECTRIC SHOCK. DO NOT OPEN.

**ATTENTION**  
RISQUE DE CHOC ELECTRIQUE. NE PAS OUVRIR.

**ACHTUNG**  
GEFAHR DES ELEKTRISCHEN SCHLAGES. RÜCKWAND NICHT ENTFERNEN.

**小心**  
有触电的风险。请勿打开。

**警告**  
感電の恐れあり。カバーをあげないでください。

The equipment must be connected to a grounded main outlet.  
Jordet stikkontakt skal benyttes når apparatet tilkobles datanett.  
Apparaten skall anslutas till jordat nätuttag.  
这设备必须连接至接地主插座。  
電源コードのアースは必ず接地してください。

This product has been adjusted specifically for use in the region to which it was originally shipped. If operated outside this region, the product may not perform as stated in the specifications.

No part of this manual may be reproduced, stored in a retrieval system, or transmitted, in any form or by any means, electronic, mechanical, or otherwise, without the prior written permission of EIZO Corporation.

EIZO Corporation is under no obligation to hold any submitted material or information confidential unless prior arrangements are made pursuant to EIZO Corporation's receipt of said information. Although every effort has been made to ensure that this manual provides up-to-date information, please note that EIZO monitor specifications are subject to change without notice.

---

## Notice for this monitor

---

This product is suited to general purposes like creating documents, viewing multimedia content.

---

This product has been adjusted specifically for use in the region to which it was originally shipped. If the product is used outside the region, it may not operate as specified in the specifications.

---

This product may not be covered by warranty for uses other than those described in this manual.

---

The specifications noted in this manual are only applicable when the following are used:

- Power cords provided with the product
  - Signal cables specified by us
- 

Only use optional products manufactured or specified by us with this product.

---

It takes about 30 minutes for the performance of electrical parts to stabilize. Please wait 30 minutes or more after the monitor power has been turned on, and then adjust the monitor.

---

Monitors should be set to a lower brightness to reduce changes in luminosity caused by long-term use and maintain a stable display.

---

When the screen image is changed after displaying the same image for extended periods of time, an afterimage may appear. Use the screen saver or power save function to avoid displaying the same image for extended periods of time.

---

If the monitor displays continuously over a long period of time, dark smudges or burn-in may appear. To maximize the life of the monitor, we recommend the monitor be turned off periodically.

---

Periodic cleaning is recommended to keep the monitor looking new and to prolong its operation lifetime (refer to [“Cleaning” \(page 4\)](#)).

---

The LCD panel is manufactured using high-precision technology. Although, missing pixels or lit pixels may appear on the LCD panel, this is not a malfunction. Percentage of effective dots: 99.9994% or higher.

---

The backlight of the LCD panel has a fixed lifetime. When the screen becomes dark or begins to flicker, please contact your local EIZO representative.

---

---

Do not press on the panel or edge of the frame strongly, as this may result in display malfunctions, such as interference patterns, etc. If pressure is continually applied to the panel, it may deteriorate or damage your panel. (If the pressure marks remain on the panel, leave the monitor with a black or white screen. The symptom may disappear.)

---

Do not scratch or press on the panel with any sharp objects, as this may result in damage to the panel. Do not attempt to brush with tissues as this may scratch the panel.

---

When the monitor is cold and brought into a room or the room temperature goes up quickly, dew condensation may occur on the interior and exterior surfaces of the monitor. In that case, do not turn the monitor on. Instead wait until the dew condensation disappears, otherwise it may cause some damage to the monitor.

---

---

## Cleaning

---

### Attention

- Chemicals such as alcohol and antiseptic solution may cause gloss variation, tarnishing, and fading of the cabinet or panel, and also quality deterioration of the image.
  - Never use any thinner, benzene, wax, and abrasive cleaner, which may damage the cabinet or panel.
- 

### Note

- The optional ScreenCleaner is recommended for cleaning the cabinet and panel surface.
- 

The stains on the cabinet and panel surface can be removed by moistening part of a soft cloth with water.

## To use the monitor comfortably

---

- An excessively dark or bright screen may affect your eyes. Adjust the brightness of the monitor according to the environmental conditions.
- Staring at the monitor for a long time tires your eyes. Take a 10-minute rest every hour.

# CONTENTS

<b>Notice for this monitor</b> .....	<b>3</b>		
Cleaning .....	4		
To use the monitor comfortably .....	4		
<b>CONTENTS</b> .....	<b>5</b>		
<b>Chapter 1 Introduction</b> .....	<b>7</b>		
1-1. Features .....	7		
1-2. Controls and Functions .....	9		
● Front .....	9		
● Rear .....	10		
1-3. Supported Resolutions .....	11		
● EV2450 .....	11		
● EV2455 .....	12		
1-4. Setting the Resolution .....	13		
● Windows 8.1 / Windows 8 / Windows 7 .....	13		
● Windows Vista .....	13		
● Mac OS X .....	13		
<b>Chapter 2 Basic Adjustment/Setting</b> .....	<b>14</b>		
2-1. Switch Operation Method .....	14		
2-2. Switching Input Signals .....	15		
2-3. Switching Display Modes (Color Modes) .....	16		
● Display Modes .....	16		
2-4. Conserving Energy .....	17		
2-5. Adjusting Brightness .....	20		
2-6. Adjusting Volume .....	21		
<b>Chapter 3 Advanced Adjustment/Setting</b> .....	<b>22</b>		
3-1. Basic Operation of the Setting menu .....	22		
3-2. Setting Menu Functions .....	23		
● Color Adjustment .....	23		
● Signal Settings .....	26		
			● Preference Settings .....
			30
			● Language .....
			32
			● Information .....
			32
			<b>Chapter 4 Administrator Settings</b> .....
			<b>33</b>
			4-1. Basic Operation of the “Administrator Settings” Menu .....
			33
			4-2. Functions of the “Administrator Settings” Menu .....
			34
			<b>Chapter 5 Troubleshooting</b> .....
			<b>36</b>
			5-1. No picture .....
			36
			5-2. Imaging problems (for both digital and analog) .....
			38
			5-3. Imaging problems (for analog only) .....
			39
			5-4. Other problems .....
			40
			<b>Chapter 6 Reference</b> .....
			<b>41</b>
			6-1. Attaching the Optional Arm .....
			41
			6-2. Detaching/Attaching Stand Base .....
			42
			6-3. Attaching/Detaching the Cable Holder .....
			46
			6-4. Connecting Multiple PCs .....
			48
			6-5. Making Use of USB (Universal Serial Bus) .....
			49
			● Required System Environment .....
			49
			● Connection Procedure (Setup of USB Function) .....
			49
			6-6. Specifications .....
			50
			● Outside Dimensions .....
			54
			● Main Default Settings .....
			56
			● Accessories .....
			56
			6-7. Preset Timings .....
			57
			<b>Chapter 7 Glossary</b> .....
			<b>59</b>
			<b>Appendix</b> .....
			<b>62</b>
			Trademark .....
			62
			License / Copyright .....
			62

**ENERGY STAR**.....63  
**TCO Certified** .....63  
**FCC Declaration of Conformity** .....65  
**LIMITED WARRANTY** .....67  
**Recycling Information** ..... 68



# Chapter 1 Introduction

Thank you very much for choosing an EIZO color LCD monitor.

## 1-1. Features

- 23.8" wide format LCD (EV2450)
- 24.1" wide format LCD (EV2455)
- Supports a resolution of 1920 × 1080 (EV2450)
- Supports a resolution of 1920 × 1200 (EV2455)
- IPS panel with 89° horizontal and vertical viewing angles
- Supports four digital signal input interfaces (DisplayPort (HDCP) × 1, HDMI TypeA (HDCP) × 1, DVI-D (HDCP) × 1, and D-Sub mini 15-pin × 1)
  - DisplayPort (8-bit support) \*1  
The DisplayPort input receives both image signals and audio signals via a single DisplayPort cable.
- \*1 When transmitting an audio signal using the DisplayPort cable, the graphics board must support audio output.  
See "6-6. Specifications" (page 50).
- HDMI  
Supports PC signals via HDMI input.  
The HDMI input receives both image signals and audio signals via a single HDMI cable.
- The Color Mode function allows the user to select the display mode optimum to the displayed image.  
The Paper mode reproduces a printed paper effect on the monitor. In Paper mode, the amount of blue light emitted from the screen is reduced by changing the color tone and controlling the brightness.  
See "2-3. Switching Display Modes (Color Modes)" (page 16).
- Power saving functions  
Suppressing power consumption<sup>2</sup> reduces carbon dioxide emissions. This product is equipped with power saving functions.
  - 0 W power consumption when the main power is off  
Equipped with a main power switch.  
When not using the monitor, you can turn off the main power supply so that the power is cut completely.
  - Auto EcoView  
The ambient light sensor on the front of the monitor detects the ambient brightness to automatically adjust the screen brightness to a comfortable level. Excessively high brightness may increase power consumption and cause unwanted environmental effects. It may also lead to eye fatigue. The range of automatic adjustment can be configured to personal preference.  
See "Auto EcoView" (page 18).
  - EcoView Optimizer 2  
The monitor automatically adjusts the screen brightness according to the white level of the input signal. This function can reduce power consumption while maintaining the brightness specified by the input signal.  
See "EcoView Optimizer 2" (page 18).

- EcoView Sense

The sensor on the front of the monitor detects user movement. When the user moves away from the monitor, the monitor shifts to power saving mode automatically and does not display images on the screen in order to reduce power consumption. The sensitivity of the sensor and time until power saving mode is activated can be set according to the monitor usage environment and movement of the user.

See “EcoView Sense” (page 19).

- \*2 Reference values:

EV2450

Maximum power consumption: 44 W (when a USB device is connected, speaker working), standard power consumption: 11 W (brightness 120 cd/m<sup>2</sup>, when no USB device is connected, speaker not working, at default settings)

EV2455

Maximum power consumption: 49 W (when a USB device is connected, speaker working), standard power consumption: 13 W (brightness 120 cd/m<sup>2</sup>, when no USB device is connected, speaker not working, at default settings)

- Equipped with a USB Hub function that supports USB 3.0

Achieves high-speed data transfers of up to 5 Gbps, which enables transfers of large amounts of data to and from USB-connected devices in a short amount time.

See “6-5. Making Use of USB (Universal Serial Bus)” (page 49).

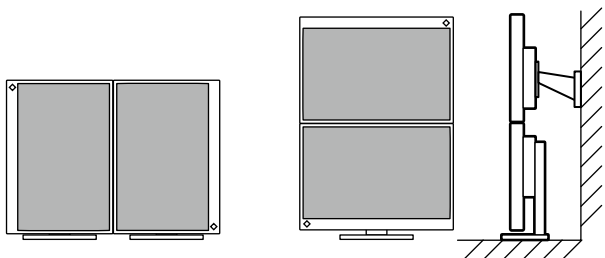
- High degree of flexibility for installation

- Stand with wide range of movement. The monitor can be adjusted to a position that provides a comfortable and less tiring work environment.

Tilt: 35° up/5° down, swivel: 344°, vertical rotation: 90° left/90° right, adjustable height: 114.7 mm (tilt: 35°) / 140 mm (EV2450), 131 mm (EV2455) (tilt: 0°)

- A thin bezel provides a virtually seamless viewing experience in multiple monitor environments. Mounting the monitor on an arm allows the screen to be installed rotated by 180° (flipped vertically).

Installation example



- The orientation of the Setting menu can be changed when using the monitor screen in the portrait display position (see “Menu Rotation” (page 30)).

- Displays HDCP (High-bandwidth Digital Protection) \*3 protected contents.

\*3 Supports HDCP Version 1.x

- Supports the “ScreenManager Pro” software for adjusting the screen using the mouse and keyboard

This software can be downloaded from our web site ([www.eizoglobal.com](http://www.eizoglobal.com)).

- Supports the “EIZO Monitor Configurator” software for creating monitor configuration files

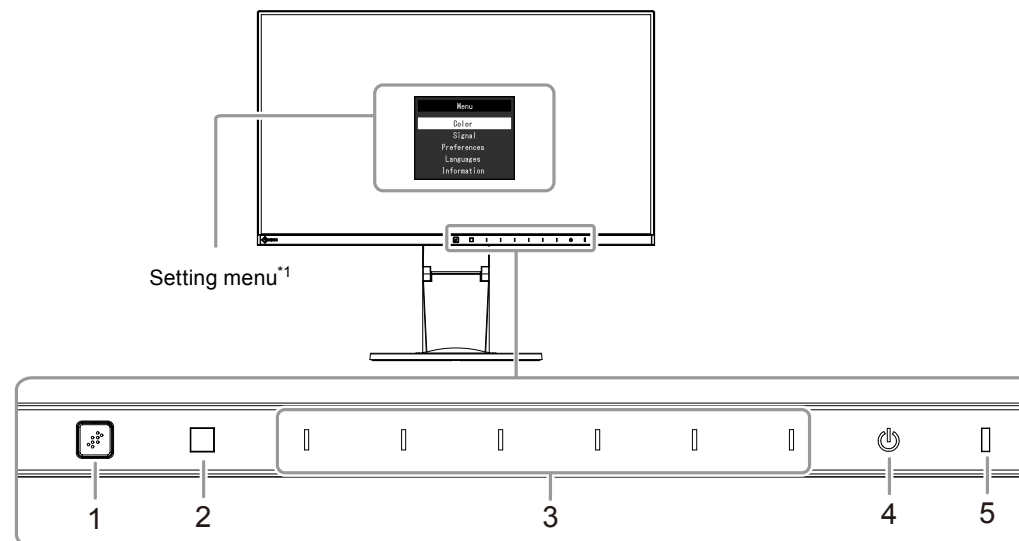
When installing multiple units of this monitor, this software allows users to apply a single configuration file to all monitors at the same time. This increases the efficiency of monitor installation work by eliminating the need for configuring each monitor individually.

For more information, refer to our web site ([www.eizoglobal.com](http://www.eizoglobal.com)).



## 1-2. Controls and Functions

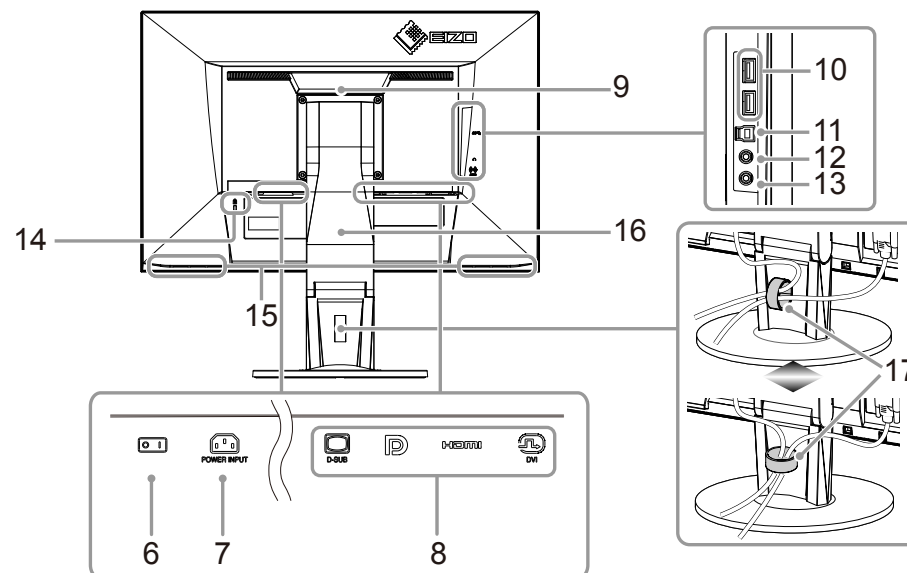
### ● Front



<b>1. EcoView Sense sensor</b>	Detects user movement in front of the monitor (EcoView Sense function ( <a href="#">page 19</a> )).
<b>2. Ambient light sensor</b>	Detects ambient brightness (Auto EcoView function ( <a href="#">page 18</a> )).
<b>3. Operation switches</b>	Displays menus. Operate the switches according to the operation guide.
<b>4. Power switch</b>	Turns the power on or off.
<b>5. Power indicator</b>	Indicates the monitor's operation status. White: Screen display Orange: Power saving mode OFF: Main power / power off

\*1 For details on usage, see “[3-1. Basic Operation of the Setting menu](#)” ([page 22](#)).

## ● Rear



<b>6. Main power switch</b>	Turns the main power on or off.
<b>7. Power connector</b>	Connects the power cord.
<b>8. Input signal connectors</b>	The following connectors are available on the monitor rear in order of left to right. D-Sub mini 15-pin connector DisplayPort connector HDMI connector DVI connector
<b>9. Handle</b>	This handle is used for transportation
<b>10. USB downstream port</b>	Connects to a peripheral USB device.
<b>11. USB upstream port</b>	Connects to the USB cable when using software that needs a USB connection, or when using the USB Hub function.
<b>12. Headphone jack</b>	Connects to headphones.
<b>13. Stereo mini jack</b>	Connects to a stereo mini jack cable.
<b>14. Security lock slot</b>	Complies with Kensington's MicroSaver security system.
<b>15. Speakers</b>	Outputs audio.
<b>16. Stand<sup>*2</sup></b>	Adjusts the height and angle (tilt, swivel, and rotation) of the monitor.
<b>17. Cable holder<sup>*3</sup></b>	Holds the monitor cables.

\*2 An optional arm (or optional stand) can be attached by removing the stand section (see "6-1. Attaching the Optional Arm" (page 41)).

\*3 For the cable holder attachment procedure, see "6-3. Attaching/Detaching the Cable Holder" (page 46).

## 1-3. Supported Resolutions

The monitor supports the following resolutions.

### ● EV2450

Resolution	Applicable Signals	Vertical Scan Frequency	Scan Type	DisplayPort	HDMI	DVI	D-Sub
640 × 480	VGA/CEA-861	59.94 Hz	Progressive	√	√	√	√
640 × 480	CEA-861	60 Hz	Progressive	√	√	-	√
640 × 480	VESA	72.81 Hz / 75 Hz	Progressive	-	-	-	√
720 × 400	VGA TEXT	70.09 Hz	Progressive	√	√	√	√
720 × 480 (4:3)	CEA-861	59.94 Hz / 60 Hz	Progressive	√	√	-	-
720 × 480 (16:9)	CEA-861	59.94 Hz / 60 Hz	Progressive	√	√	-	-
720 (1440) × 480 (4:3)	CEA-861	59.94 Hz / 60 Hz	Interlaced	-	√	-	-
720 (1440) × 480 (16:9)	CEA-861	59.94 Hz / 60 Hz	Interlaced	-	√	-	-
720 × 576 (4:3)	CEA-861	50 Hz	Progressive	-	√	-	-
720 × 576 (16:9)	CEA-861	50 Hz	Progressive	-	√	-	-
720 (1440) × 576 (4:3)	CEA-861	50 Hz	Interlaced	-	√	-	-
720 (1440) × 576 (16:9)	CEA-861	50 Hz	Interlaced	-	√	-	-
800 × 600	VESA	56.25 Hz / 72.19 Hz / 75 Hz	Progressive	-	-	-	√
800 × 600	VESA	60.32 Hz	Progressive	√	√	√	√
1024 × 768	VESA	60 Hz	Progressive	√	√	√	√
1024 × 768	VESA	70.07 Hz / 75.03 Hz	Progressive	-	-	-	√
1280 × 720	CEA-861	50 Hz	Progressive	-	√	-	-
1280 × 720	CEA-861	59.94 Hz	Progressive	√	√	-	-
1280 × 720	CEA-861	60 Hz	Progressive	√	√	√	√
1280 × 800	VESA CVT	59.81 Hz	Progressive	√	√	√	√
1280 × 1024	VESA	60.02 Hz	Progressive	√	√	√	√
1280 × 1024	VESA	75.03 Hz	Progressive	-	-	-	√
1600 × 900	VESA RB	60 Hz	Progressive	√	√	√	√
1680 × 1050	VESA CVT	59.95 Hz	Progressive	√	√	√	√
1680 × 1050	VESA CVT RB	59.88 Hz	Progressive	√	√	√	√
1920 × 1080 <sup>*1</sup>	CEA-861	50 Hz / 59.94 Hz / 60 Hz	Interlaced	-	√	-	-
1920 × 1080 <sup>*1</sup>	CEA-861	50 Hz	Progressive	-	√	-	-
1920 × 1080 <sup>*1</sup>	CEA-861	59.94 Hz	Progressive	√	√	-	-
1920 × 1080 <sup>*1</sup>	CEA-861	60 Hz	Progressive	√	√	√	√

\*1 Recommended resolution

## ● EV2455

Resolution	Applicable Signals	Vertical Scan Frequency	Scan Type	DisplayPort	HDMI	DVI	D-Sub
640 × 480	VGA/CEA-861	59.94 Hz	Progressive	√	√	√	√
640 × 480	CEA-861	60 Hz	Progressive	√	√	-	√
640 × 480	VESA	72.81 Hz / 75 Hz	Progressive	-	-	-	√
720 × 400	VGA TEXT	70.09 Hz	Progressive	√	√	√	√
720 × 480 (4:3)	CEA-861	59.94 Hz / 60 Hz	Progressive	√	√	-	-
720 × 480 (16:9)	CEA-861	59.94 Hz / 60 Hz	Progressive	√	√	-	-
720 (1440) × 480 (4:3)	CEA-861	59.94 Hz / 60 Hz	Interlaced	-	√	-	-
720 (1440) × 480 (16:9)	CEA-861	59.94 Hz / 60 Hz	Interlaced	-	√	-	-
720 × 576 (4:3)	CEA-861	50 Hz	Progressive	-	√	-	-
720 × 576 (16:9)	CEA-861	50 Hz	Progressive	-	√	-	-
720 (1440) × 576 (4:3)	CEA-861	50 Hz	Interlaced	-	√	-	-
720 (1440) × 576 (16:9)	CEA-861	50 Hz	Interlaced	-	√	-	-
800 × 600	VESA	56.25 Hz / 72.19 Hz / 75 Hz	Progressive	-	-	-	√
800 × 600	VESA	60.32 Hz	Progressive	√	√	√	√
1024 × 768	VESA	60 Hz	Progressive	√	√	√	√
1024 × 768	VESA	70.07 Hz / 75.03 Hz	Progressive	-	-	-	√
1280 × 720	CEA-861	50 Hz	Progressive	-	√	-	-
1280 × 720	CEA-861	59.94 Hz	Progressive	√	√	-	-
1280 × 720	CEA-861	60 Hz	Progressive	√	√	√	√
1280 × 800	VESA CVT	59.81 Hz	Progressive	√	√	√	√
1280 × 1024	VESA	60.02 Hz	Progressive	√	√	√	√
1280 × 1024	VESA	75.03 Hz	Progressive	-	-	-	√
1600 × 900	VESA RB	60 Hz	Progressive	√	√	√	√
1600 × 1200	VESA	60 Hz	Progressive	√	√	√	√
1680 × 1050	VESA CVT	59.95 Hz	Progressive	√	√	√	√
1680 × 1050	VESA CVT RB	59.88 Hz	Progressive	√	√	√	√
1920 × 1080	CEA-861	50 Hz / 59.94 Hz / 60 Hz	Interlaced	-	√	-	-
1920 × 1080	CEA-861	50 Hz	Progressive	-	√	-	-
1920 × 1080	CEA-861	59.94 Hz	Progressive	√	√	-	-
1920 × 1080	CEA-861	60 Hz	Progressive	√	√	√	√
1920 × 1200 <sup>*1</sup>	VESA CVT	59.89 Hz	Progressive	-	-	-	√
1920 × 1200 <sup>*1</sup>	VESA CVT RB	59.95 Hz	Progressive	√	√	√	√

\*1 Recommended resolution

---

## 1-4. Setting the Resolution

---

If the resolution is incorrect after connecting the monitor to a PC or if you want to change the resolution, follow the procedure below.

### ● Windows 8.1 / Windows 8 / Windows 7

1. For Windows 8.1 / Windows 8, click the “Desktop” tile on the Start Screen to display the desktop.
2. Right-click the mouse anywhere on the desktop except for icons.
3. From the displayed menu, click “Screen resolution”.
4. On the “Screen Resolution” dialog box, select the monitor.
5. Click “Resolution” to select the desired resolution.
6. Click the “OK” button.
7. When a confirmation dialog box is displayed, click “Keep changes”.

### ● Windows Vista

1. Right-click the mouse anywhere on the desktop except for icons.
2. From the displayed menu, click “Personalize”.
3. On the “Personalization” window, click “Display Settings”.
4. On the “Display Settings” dialog box, select the “Monitor” tab and select the desired resolution in the “Resolution” field.
5. Click the “OK” button.
6. When a confirmation dialog box is displayed, click “Yes”.

### ● Mac OS X

1. Select “System Preferences” from the Apple menu.
2. When the “System Preferences” dialog box is displayed, click “Displays” for “Hardware”.
3. On the displayed dialog box, select the “Display” tab and select the desired resolution in the “Resolutions” field.
4. Your selection will be reflected immediately. If you are satisfied with the selected resolution, close the window.

## Chapter 2 Basic Adjustment/Setting

This monitor enables users to change the brightness according to personal preference or to suit the usage environment and reduce power consumption to conserve energy.

This chapter describes the basic functions that can be adjusted and set using the switches on the front of the monitor.

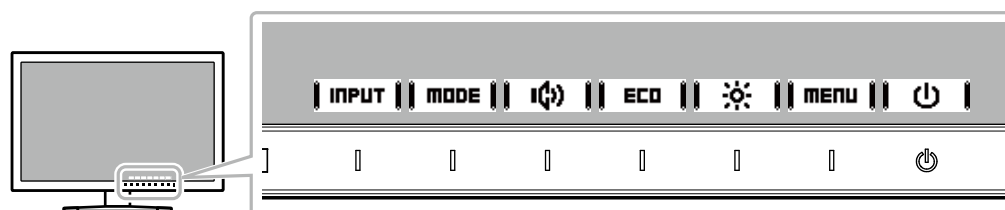
For advanced adjustment and setting procedures using the Setting menu, see “[Chapter 3 Advanced Adjustment/Setting](#)” (page 22).

### 2-1. Switch Operation Method

#### 1. Displaying the operation guide

1. Touch any switch (except .



The operation guide appears on the screen.



#### 2. Adjusting/setting

1. Touch a switch for adjustment/setting.

The Adjustment/Setting menu appears.

(A submenu may also be displayed. In this case, select the item for adjustment/setting using  ||  and select **ENTER**.)

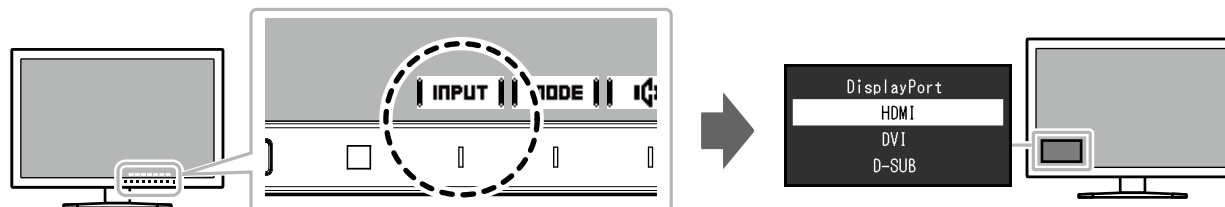
2. Perform adjustment/setting with the switches and select **OK** to accept the changes.

#### 3. Exiting

1. Select **RETURN** or **EXIT** to exit the menu.
2. When no menu is displayed, the operation guide will automatically disappear after a few seconds if no switches are operated.

## 2-2. Switching Input Signals

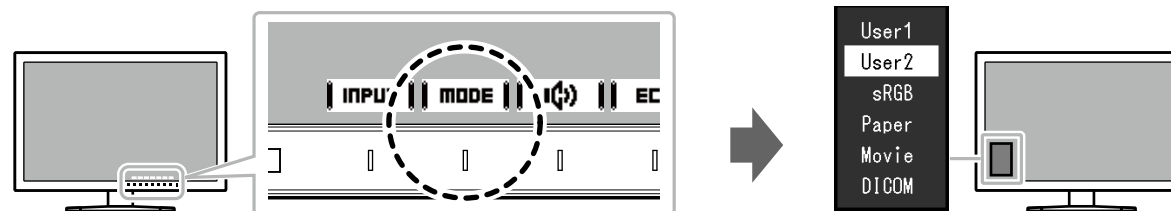
When a monitor has multiple signal inputs, the signal to display on-screen can be changed.



## 2-3. Switching Display Modes (Color Modes)

This product is preinstalled with color modes for various display purposes.

Switch the mode according to the purpose and content for display. This allows the monitor to display images in a manner appropriate to the display content.



### ● Display Modes

Color Mode	Purpose
User1 User2	Select either of these modes to set a user-defined display mode.
sRGB	This mode is suitable for matching color reproduction with peripheral devices that support sRGB, such as when printing photos taken using a digital camera.
Paper	This mode uses color tones and contrast similar to that of paper to produce a printed paper effect. It is suitable for displaying images from media such as books and documents.
Movie	This mode displays moving images brightly and with a clear-cut three-dimensional appearance. It is suitable for playing back video content.
DICOM	Selected for the display in the DICOM mode.

#### Note

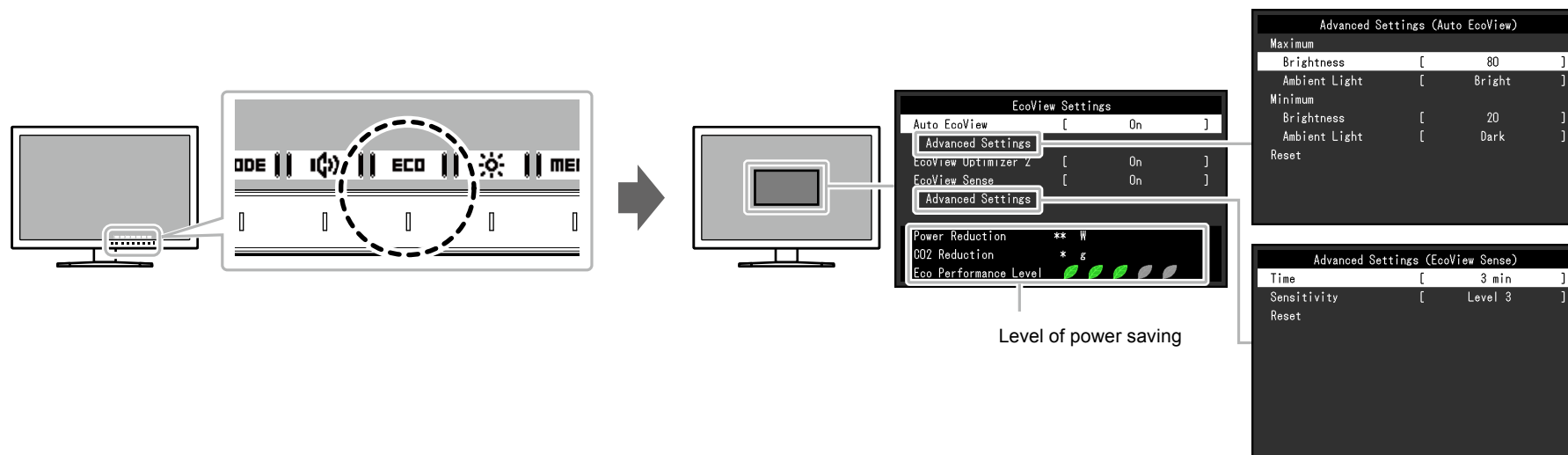
- “ScreenManager Pro” allows you to select the color mode automatically according to the application in use. (“ScreenManager Pro” is software for adjusting the screen using the mouse and keyboard. This software can be downloaded from our web site ([www.eizoglobal.com](http://www.eizoglobal.com).)



## 2-4. Conserving Energy


This monitor is equipped with EcoView functions to enable users to conserve energy.

Use this function to curtail unnecessary power consumption and save on electricity expenses. Saving power also reduces carbon dioxide emissions.



### Note

- The power saving level (Power Reduction, CO<sub>2</sub> Reduction, and Eco Performance Level) can be checked on the “EcoView Settings” menu. The more indicators that light up representing the Eco Performance Level, the higher the power saving level attained.
  - Power Reduction: the reduction in the backlight’s power consumption as a result of the adjusted brightness value.
  - CO<sub>2</sub> Reduction: converted from the “Power Reduction” value, this is an estimate of the quantity of CO<sub>2</sub> emissions reduced when using the monitor for 1 hour.
- \* The numeric value is a result of calculation based on a default setting (0.000555 t -CO<sub>2</sub>/kWh) determined by a Japanese ministerial ordinance (2006, Ministry of Economy, Trade and Industry, Ministry of Environment, civil code article 3) and may differ depending on country and year.

Function		Setting Range	Description	Note	
Auto EcoView		On Off	<p>The ambient light sensor on the front of the monitor detects the ambient brightness to automatically adjust the screen brightness to a comfortable level using the Auto EcoView function. The power consumption of the backlight can be curtailed by adjusting the brightness to an appropriate level. This function can also mitigate eye strain and tiredness caused by a screen that is too bright or too dark.</p> <p>Use the “Advanced Settings” to set the automatic adjustment range to suit the monitor’s usage environment or personal preference.</p>	<ul style="list-style-type: none"> <li>• Be careful not to block the ambient light sensor on the lower side of the monitor when using the Auto EcoView function.</li> <li>• Even when the Auto EcoView setting is “On”, the  operation switch on the front of the monitor or color adjustment can be used to change the “Brightness” to suit your personal preference. Moreover, the manner in which the Auto EcoView function changes brightness also differs according to the changed value.</li> <li>• When “DICOM” is selected for the color mode, the Auto EcoView setting is turned “Off”.</li> </ul>	
Advanced Settings	Maximum Minimum	Brightness	0 to 100	<p>Set the range for automatic brightness adjustment. By setting the maximum value and minimum value of the adjustment range in advance, the brightness will be adjusted automatically within the set range.</p>	<ul style="list-style-type: none"> <li>• The maximum and minimum brightness values cannot be set to the same value.</li> </ul>
		Ambient Light	Bright Standard Dark	<p>Using the default setting is recommended. (Default setting: “Bright” for maximum value, “Dark” for minimum value)</p>	<ul style="list-style-type: none"> <li>• For details on the “Ambient Light” setting, refer to our web site (<a href="http://www.eizoglobal.com">www.eizoglobal.com</a>).</li> </ul>
	Reset	-	Return the advanced settings to their default values.	-	
EcoView Optimizer 2		On Off	<p>The monitor automatically adjusts the screen brightness according to the white level of the input signal. This function can reduce power consumption while maintaining the brightness specified by the input signal.</p>	<ul style="list-style-type: none"> <li>• The setting is turned “Off” in the following cases: <ul style="list-style-type: none"> <li>- When “Movie” or “DICOM” is selected for the color mode</li> </ul> </li> <li>• When set to “On”, the appearance of pale colors may change. If this bothers you, set this function to “Off”.</li> </ul>	

Function		Setting Range	Description	Note
EcoView Sense		On Off	<p>When set to “On”, the sensor on the front of the monitor detects user movement. When the user moves away from the monitor, it automatically shifts to power saving mode and does not display images on the screen in order to reduce power consumption. When the user comes near the monitor again, it recovers from power saving mode and displays images.</p> <p>The sensitivity of the sensor and time until power saving mode is activated can be set in the “Advanced Settings” according to the monitor usage environment and movement of the user.</p>	<ul style="list-style-type: none"> <li>• At the time of shifting to power saving mode, a message that indicates the transition is displayed.</li> <li>• When “Power Save” on the Preferences menu is set to “Off”, the EcoView Sense setting is disabled.</li> </ul>
Advanced Settings	Time	5, 30 sec 1, 3, 5, 10, 15, 30, 45, 60 min	Specifies the time from when the user leaves the monitor until the “No Presence detected” message appears. The monitor shifts to power saving mode about 20 seconds after the message is displayed.	-
	Sensitivity	Level 5 Level 4 Level 3 Level 2 Level 1	When the setting level is high (“Level 5” at maximum), even minor movements of the user are detected, which prevents the monitor from readily shifting to power saving mode. On the other hand, when the setting level is low (“Level 1” at minimum), only major movements of the user are detected, which allows the monitor to readily shift to power saving mode.	<ul style="list-style-type: none"> <li>• The EcoView Sense function is activated when the sensor on the front of the monitor detects the movement of heat. Therefore, the sensitivity should be changed depending on the typical user’s clothes or typical room temperature. If the monitor shifts to or recovers from power saving mode contrary to your expectations, try changing the setting level.</li> <li>• To use the monitor comfortably, increase the sensitivity for high temperatures, because the detection sensitivity decreases. Reduce the sensitivity for low temperatures because the detection sensitivity increases.</li> </ul>
	Reset	-	Return the advanced settings to their default values.	-

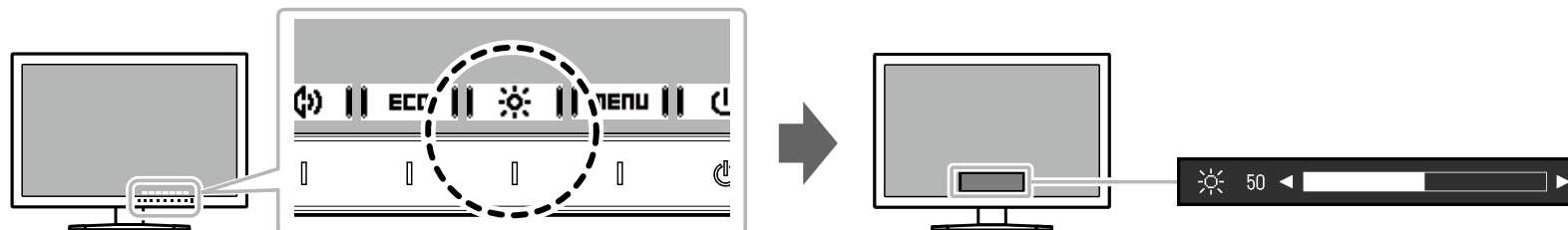
## 2-5. Adjusting Brightness

The brightness of the screen can be adjusted to suit the installation environment or personal preference.

The screen brightness is adjusted by changing the brightness of the backlight (light source from the LCD back panel).

### Setting Range

0 to 100



### Note

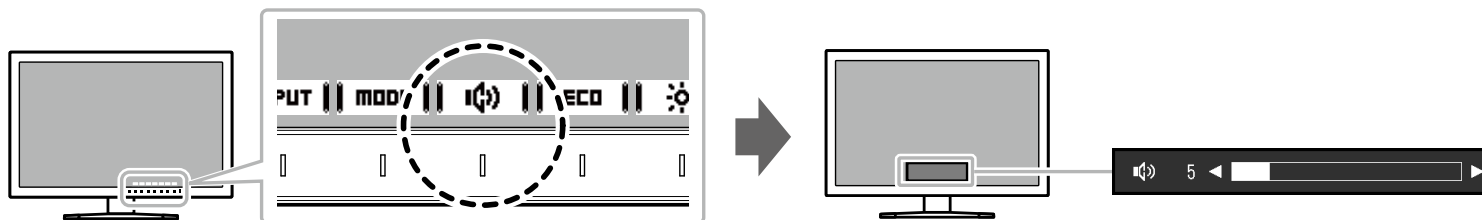
- When Auto EcoView is set to “On”, the adjustment range is restricted as follows. (For details on Auto EcoView, see [“Auto EcoView” \(page 18\)](#).)
  - The brightness setting cannot be increased or decreased past the maximum and minimum brightness values specified in the advanced settings of Auto EcoView.
  - Brightness may not be adjusted when the installation environment of the monitor is excessively bright or dark.

## 2-6. Adjusting Volume

The volume of the speakers and headphones can be set individually.

### Setting Range

0 to 30



# Chapter 3 Advanced Adjustment/Setting

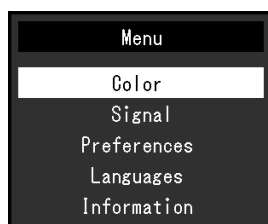
This chapter describes the advanced monitor adjustment and setting procedures using the Setting menu.

For basic functions, see “Chapter 2 Basic Adjustment/Setting” (page 14).

## 3-1. Basic Operation of the Setting menu

### 1. Menu display

1. Touch any switch (except  $\text{\textcircled{P}}$ ).  
The operation guide appears.
2. Select **| MENU |**.  
The Setting menu appears.



### 2. Adjusting/setting

1. Select a menu to adjust/set with **| ▲ | | ▼ |** and select **| ENTER |**.  
The Sub menu appears.

Color (User1)		
Color Mode	[	User1 ]
Brightness	[	100 ]
Contrast	[	50 ]
Temperature	[	Off ]
Gamma	[	2.2 ]
Advanced Settings		
Reset		

2. Select an item to adjust/set with **| ▲ | | ▼ |** and select **| ENTER |**.  
The Adjustment/Setting menu appears.



3. Perform adjustment/setting with **| ▲ | | ▼ |** or **| ◀ | | ▶ |** and select **| OK |** to accept the changes.  
The Sub menu appears.  
Selecting **| CANCEL |** during adjustment/setting will cancel the adjustment/setting and restore the state prior to making changes.

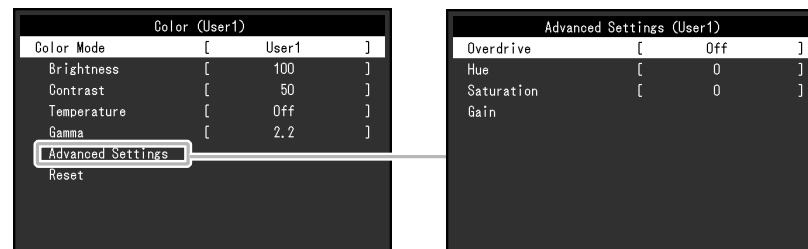
### 3. Exiting

1. Select **| RETURN |**.  
The Setting menu appears.
2. Select **| EXIT |**.  
The Setting menu quits.

## 3-2. Setting Menu Functions

### ● Color Adjustment

The color mode setting status can be adjusted according to personal preference.



#### Attention

- It takes about 30 minutes for the performance of electrical parts to stabilize. Please wait 30 minutes or more after power to the monitor has been turned on before adjusting the monitor.
- The same image may be observed in different colors on multiple monitors due to monitor-specific characteristics. Make fine color adjustments visually when matching colors across multiple monitors.

#### Note

- Using “ScreenManager Pro” allows you to perform color adjustment with the mouse and keyboard on your PC. The adjusted state can also be saved and loaded as color data. “ScreenManager Pro” can be downloaded from our web site ([www.eizoglobal.com](http://www.eizoglobal.com)).

Function	Color Mode (Functions that can be adjusted differ depending on the color mode.) √: Adjustable -: Not adjustable					Setting Range	Description	Note
	User1 User2	sRGB	Paper	Movie	DICOM			
Color Mode	√	√	√	√	√	User1 User2 sRGB Paper Movie DICOM	Select the desired mode according to the monitor application.  The color setting status can also be adjusted according to personal preference. Select the mode for adjustment and perform adjustment using the relevant functions.	<ul style="list-style-type: none"> <li>• For details on the adjustment status of each mode, see “2-3. Switching Display Modes (Color Modes)” (page 16).</li> </ul>
Brightness	√	√	√	√	-	0 to 100	The screen brightness is adjusted by changing the brightness of the backlight (light source from the LCD back panel).	<ul style="list-style-type: none"> <li>• If the image is too dark even when the brightness is set to 100, adjust the contrast.</li> </ul>

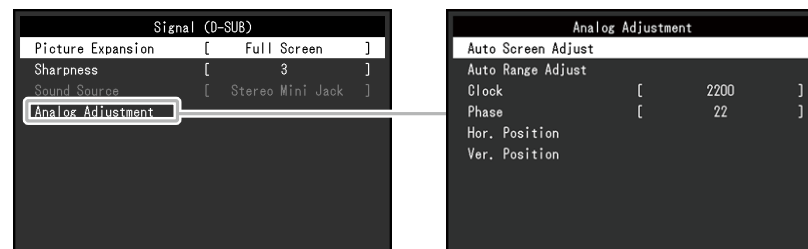
Function	Color Mode (Functions that can be adjusted differ depending on the color mode.) √: Adjustable -: Not adjustable					Setting Range	Description	Note
	User1 User2	sRGB	Paper	Movie	DICOM			
Contrast	√	-	-	√	-	0 to 100	The brightness of the screen is adjusted by varying the video signal level.	<ul style="list-style-type: none"> <li>• A contrast of 50 displays every color gradation.</li> <li>• When adjusting the monitor, it is recommended to perform brightness adjustment, which does not lose gradation characteristics, prior to contrast adjustment.</li> <li>• Perform contrast adjustment in the following cases. <ul style="list-style-type: none"> <li>- If the image is too dark even when the brightness is set to 100 (Set the contrast to higher than 50.)</li> </ul> </li> </ul>
Temperature	√	-	√	√	-	Off 4000 K to 10000 K (specified in 500 K units, includes 9300 K)	<p>Adjust the color temperature.</p> <p>The color temperature is normally used to express the hue of “White” and/or “Black” with a numerical value. The value is expressed in degrees “K” (Kelvin).</p> <p>The screen becomes reddish at low color temperatures and bluish at high color temperatures, similar to the temperatures of a flame. A gain preset value is set for each color temperature setting value.</p>	<ul style="list-style-type: none"> <li>• The value shown in “K” is available only as a reference.</li> <li>• “Gain” allows you to perform more advanced adjustment.</li> <li>• If set to “Off”, the image is displayed in the preset color of the monitor (Gain: 100 for each RGB channel).</li> <li>• When the gain is changed, the color temperature setting changes to “Off”.</li> </ul>
Gamma	√	-	-	-	-	1.8 2.0 2.2 2.4	<p>Adjust the gamma.</p> <p>While the brightness of the monitor varies depending on the input signal, the variation rate is not proportional to the input signal.</p> <p>Maintaining the balance between the input signal and brightness of the monitor is referred to as “Gamma correction”.</p>	<ul style="list-style-type: none"> <li>• If “Paper” is selected for the color mode, “Paper” is displayed for the gamma value.</li> <li>• If “DICOM” is selected for the color mode, “DICOM” is displayed for the gamma value.</li> </ul>

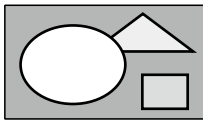
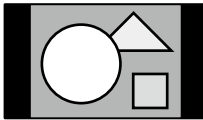





Function		Color Mode (Functions that can be adjusted differ depending on the color mode.) √: Adjustable -: Not adjustable					Setting Range	Description	Note
		User1 User2	sRGB	Paper	Movie	DICOM			
Advanced Settings	Overdrive	√	-	-	-	-	Enhanced Standard Off	This function allows you to set the overdrive intensity based on the use of the monitor. Image lag can be reduced by using the “Enhanced” setting when displaying moving images.	-
	Hue	√	-	-	√	-	-50 to 50	Adjust the hue.	<ul style="list-style-type: none"> <li>Using this function may make some color gradations unavailable for display.</li> </ul>
	Saturation	√	-	-	√	-	-50 to 50	Adjust the color saturation.	<ul style="list-style-type: none"> <li>Using this function may make some color gradations unavailable for display.</li> <li>The minimum value (-50) changes the screen to monochrome.</li> </ul>
	Gain	√	-	-	-	-	0 to 100	The brightness of each red, green, and blue color component is referred to as “Gain”. The hue of “white” can be changed by adjusting the gain.	<ul style="list-style-type: none"> <li>Using this function may make some color gradations unavailable for display.</li> <li>The gain value changes according to the color temperature.</li> <li>When the gain is changed, the color temperature setting changes to “Off”.</li> </ul>
Reset		√	√	√	√	-	-	Reset any color adjustments for the currently selected color mode back to the default settings.	-

## ● Signal Settings

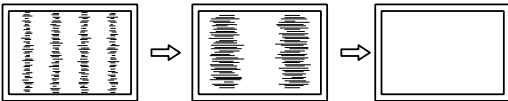
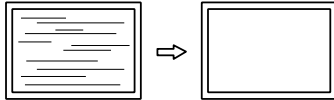
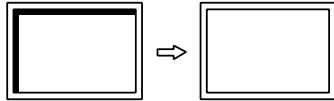
Set the method for outputting the signal input from the PC to the monitor.



Function	Input Signal (The setting range of each function differs depending on the input signal.) √: Settable -: Not settable					Setting Range	Description	Note
	DisplayPort	HDMI		DVI	D-Sub			
		PC signal	Video signal					
Picture Expansion	√	√	-	√	√	Full Screen Aspect Ratio Dot by Dot	<p>The screen size of the monitor display can be changed.</p> <ul style="list-style-type: none"> <li>“Auto” The monitor automatically changes the screen size according to the aspect ratio and resolution information from the PC.</li> <li>“Full Screen” Images are stretched to full screen. Since aspect ratios are not maintained, images may be distorted in some cases.</li> <li>“Aspect Ratio” Images are enlarged to full screen without changing the aspect ratio. Since aspect ratios are maintained, blank horizontal or vertical borders may appear.</li> <li>“Dot by Dot” Displays the image at the set resolution or size specified by the input signal.</li> </ul>	<ul style="list-style-type: none"> <li>• Example settings               <ul style="list-style-type: none"> <li>- Full Screen </li> <li>- Aspect Ratio </li> <li>- Dot by Dot (input signal) </li> </ul> </li> <li>• If the monitor is EV2455 and the resolution is set to 1920 × 1080, only “Full Screen” is available.</li> </ul>
	-	-	√	-	-	Auto Full Screen Aspect Ratio Dot by Dot		

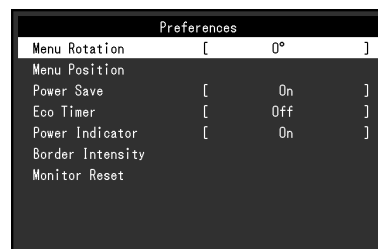
Function	Input Signal (The setting range of each function differs depending on the input signal.) √: Settable -: Not settable					Setting Range	Description	Note
	DisplayPort	HDMI		DVI	D-Sub			
		PC signal	Video signal					
Sharpness	√	√	√	√	√	1 to 5	When a low-resolution image is displayed in “Full Screen” or “Aspect Ratio” mode, text or lines in the displayed image may be blurred. This function reduces this blurring effect.	<ul style="list-style-type: none"> <li>The sharpening setting may not be required depending on the display resolution. (“Sharpness” cannot be selected in such cases.)</li> </ul>
Input Color Format	√	-	-	-	-	Auto YUV RGB	The color format of the input signal can be specified. Try changing this setting if colors are not displayed correctly.	<ul style="list-style-type: none"> <li>This setting is required when a DVI device is connected to the monitor via the HDMI connector port using a DVI-HDMI conversion connector.</li> <li>This setting is fixed to “RGB” when receiving a DVI signal from the DVI connector.</li> </ul>
	-	√	-	-	-	YUV 4:2:2 YUV 4:4:4 RGB		
	-	-	√	-	-	Auto YUV 4:2:2 YUV 4:4:4 RGB		
Range Extension	√	-	√	-	-	Auto On Off	<p>Depending on the PC, black and white of the video level of the signal output to the monitor may be limited. If a limited signal is displayed on the monitor, black will appear faint and white will appear dull, leading to a reduction in contrast. The output range of such signals can be extended to match the actual contrast ratio of the monitor.</p> <ul style="list-style-type: none"> <li>“Auto” Automatically identifies the brightness range of the input signal and displays the image accordingly.</li> <li>“On” Extends the signal output range through 0 to 255 and displays the image.</li> <li>“Off” Extension of the signal output range is not performed.</li> </ul>	<ul style="list-style-type: none"> <li>Example settings <ul style="list-style-type: none"> <li>- Off </li> <li>- On </li> </ul> </li> <li>This setting is fixed to “Off” for DVI input.</li> </ul>
	-	√	-	-	-	On Off		

Function		Input Signal (The setting range of each function differs depending on the input signal.) √: Settable -: Not settable					Setting Range	Description	Note
		DisplayPort	HDMI		DVI	D-Sub			
			PC signal	Video signal					
Analog Adjustment	Auto Screen Adjust	-	-	-	-	√	-	Screen flickering, display position, and size can be adjusted automatically. Selecting "Auto Screen Adjust" displays a message. Select "Yes" to enable this function.	<ul style="list-style-type: none"> <li>The automatic screen adjustment function works correctly when an image is fully displayed over the entire displayable area of the screen. It does not work properly in the following cases: <ul style="list-style-type: none"> <li>When an image is only displayed on part of the screen (command prompt window, for example)</li> <li>When a black background (wallpaper, etc.) is used</li> </ul> </li> <li>Also, this function may not work properly with some graphic boards.</li> <li>When a signal is input into the monitor for the first time or when a resolution or vertical/horizontal scan frequency not used before is set, the self adjustment function will activate automatically (only for signals with a resolution of 800×600 (SVGA) or higher).</li> </ul>
	Auto Range Adjust	-	-	-	-	√	-	Every color gradation (0 to 255) can be displayed by automatically adjusting the signal output level. Selecting "Auto Range Adjust" displays a message. Select "Yes" to enable this function.	-

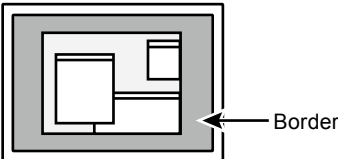
Function		Input Signal (The setting range of each function differs depending on the input signal.) √: Settable -: Not settable					Setting Range	Description	Note
		DisplayPort	HDMI		DVI	D-Sub			
			PC signal	Video signal					
Clock	Phase	-	-	-	-	√	-	Flickering of vertical lines on the screen or part of the screen can be reduced. 	<ul style="list-style-type: none"> <li>Use the operation switches (   ◀    ▶   ) to make fine adjustments so as not to miss any adjustment points.</li> </ul>
	Hor. Position Ver. Position	-	-	-	-	√	-	Flickering and blurring over the entire screen can be reduced. 	<ul style="list-style-type: none"> <li>Flickering and blurring may not be completely eliminated depending on your PC or graphics board.</li> <li>After setting, adjust the "Clock" again if vertical bars appear.</li> </ul>
	Hor. Position Ver. Position	-	-	-	-	√	-	The display position (horizontal and vertical) of the screen can be adjusted. 	<ul style="list-style-type: none"> <li>Since the number of pixels and pixel positions are fixed on the LCD monitor, only one position is provided to display images correctly. Position adjustment is made to shift an image to the correct position.</li> </ul>
Sound Source		√	-	-	-	-	Stereo Mini Jack DisplayPort	The audio source can be changed when receiving DisplayPort signal input or HDMI signal input.	<ul style="list-style-type: none"> <li>This setting is fixed to "Stereo Mini Jack" when receiving DVI signal input, HDMI (PC signal) input, or D-Sub signal input.</li> </ul>
		-	-	√	-	-	Stereo Mini Jack HDMI		

## ● Preference Settings

The monitor's settings can be configured to suit the usage environment or personal preference.



Function	Setting Range	Description	Note
Menu Rotation	0° 90° 270°	Change the orientation of the Setting menu when using the monitor screen in the portrait display position.	<ul style="list-style-type: none"> <li>• Make sure that the cables are correctly connected.</li> <li>• Make sure to turn the monitor screen after pulling the screen up to the uppermost position of the stand and tilting the screen upward.</li> <li>• When using the monitor screen in a portrait position, a graphics board that supports portrait display is required. When placing the monitor in a portrait position, the settings of your graphics board need to be changed. Refer to the User's Manual of the graphics board for details.</li> <li>• The menu cannot be rotated by 180°. To install the monitor rotated by 180°, perform monitor adjustment/settings before rotating the monitor.</li> </ul>
Menu Position	Center Upper Right Lower Right Lower Left Upper Left	The display position of the Setting menu can be changed.	-

Function	Setting Range	Description	Note
Power Save	On Off	<p>The monitor can be set to enter power saving mode according to the state of the PC.</p> <p>The monitor changes to power saving mode about 15 seconds after signal input ceases to be detected.</p> <p>When the monitor has shifted to power saving mode, images are not displayed on the screen.</p> <ul style="list-style-type: none"> <li>Exiting power saving mode <ul style="list-style-type: none"> <li>If the monitor receives input, it automatically exits power saving mode and returns to the normal display mode.</li> </ul> </li> </ul>	<ul style="list-style-type: none"> <li>At the time of shifting to power saving mode, a message that indicates the transition is displayed 5 seconds in advance.</li> <li>When not using the monitor, you can turn off the main power supply or disconnect the power plug so that the power is cut completely.</li> <li>When the monitor is in power saving mode, devices connected to the USB downstream port will still work. Therefore, power consumption of the monitor varies with connected devices even in power saving mode.</li> <li>Power consumption varies even when the stereo mini jack cable is connected.</li> </ul>
Eco Timer	Off 0, 1, 2, 3, 5, 10, 15, 20, 25, 30, 45 min, 1, 2, 3, 4, 5 h	<p>The monitor can be turned off automatically after a specified amount of time has passed in power saving mode.</p> <p>Select the time to wait before turning off power to the monitor.</p>	-
Power Indicator	On Off	The power indicator (white) can be turned off during screen display.	-
Border Intensity	-	<p>When images are displayed at low resolution with “Dot by Dot” or “Aspect Ratio” (see <a href="#">“Picture Expansion” (page 26)</a>), a border (black section where the image is not displayed) is displayed around the image. The brightness of this border section can be adjusted.</p> 	-
Monitor Reset	-	<p>Restore all settings to their default values except for the following settings.</p> <ul style="list-style-type: none"> <li>Settings on the “Administrator Settings” menu</li> </ul>	<ul style="list-style-type: none"> <li>For details on default settings, see <a href="#">“Main Default Settings” (page 56)</a>.</li> </ul>

## ● Language

The display language for menus and messages can be selected.

### Setting Range

English, Deutsch, Français, Español, Italiano, Svenska, Japanese, Simplified Chinese, Traditional Chinese



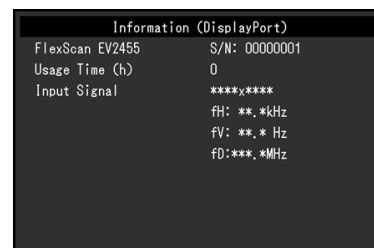
### Attention

- The display language of the "Administrator Settings" menu cannot be changed.

## ● Information

Monitor information (product name, serial number, usage time, resolution, and input signal) can be checked.

Example:







# Chapter 4 Administrator Settings

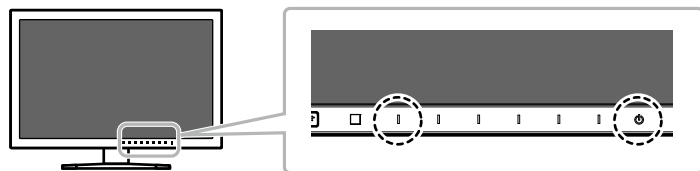
This chapter describes how to configure monitor operation using the “Administrator Settings” menu.

This menu is for administrators. Configuration on this menu is not required for normal monitor use.

## 4-1. Basic Operation of the “Administrator Settings” Menu

### 1. Menu display

1. Touch  to turn off the monitor.
2. While touching the leftmost switch, touch  for more than 2 seconds to turn on the monitor.

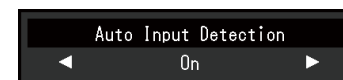


The “Administrator Settings” menu appears.

Administrator Settings		
Auto Input Detection	[	On ]
DP HPD Control	[	On ]
HDMI HPD Control	[	On ]
USB Power Save	[	On ]
On-Screen Logo	[	On ]
Key Lock	[	On ]
Compatibility Mode	[	On ]
Apply		

### 2. Setting

1. Select an item to set with   and select **ENTER**.  
The Adjustment/Setting menu appears.



2. Set with   and select **OK**.  
The “Administrator Settings” menu appears.

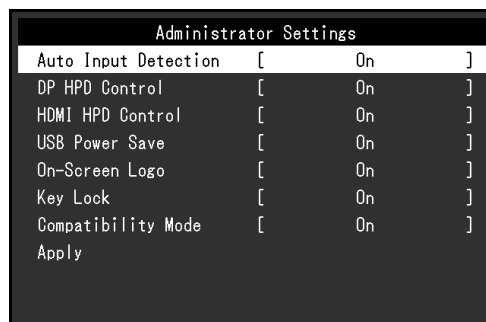
### 3. Applying and exiting

1. Select “Apply” and then **ENTER**.  
The settings are applied and the “Administrator Settings” menu exits.

#### Attention

- The language (English) of the “Administrator Settings” menu cannot be changed.

## 4-2. Functions of the “Administrator Settings” Menu




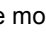
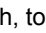
Function	Setting Range	Description	Note
Auto Input Detection	On Off	<p>This monitor recognizes the connector through which PC signals are input and displays images on the screen accordingly. When a PC is turned off or enters power saving mode, any other available signal is displayed automatically.</p> <p>When this function is set to “Off”, the monitor displays the signal from the selected connector regardless of whether a signal is input or not. In this case, select the input signal to display using the <b>INPUT</b> operation switch on the front of the monitor.</p>	<ul style="list-style-type: none"> <li>When this function is set to “On”, the monitor only enters power saving mode after all connected PCs have entered power saving mode or have been switched off.</li> </ul>
DP HPD Control	On Off	When a PC is connected via the DisplayPort connector, window and icon positions may shift when power is turned off/on. If this happens, set this function to “On”.	-
HDMI HPD Control	On Off	When a PC is connected via the HDMI connector, the screen may not be displayed depending on the device. If this happens, set this function to “On”.	-


Function	Setting Range	Description	Note
USB Power Save	On Off	<p>This product can disable USB communication with a PC when the monitor enters power saving mode or when the monitor is turned off. Disabling USB communication can reduce power consumption in power saving mode and when the monitor is turned off.</p> <p>When this function is set to “Off”, USB connections can be left enabled even when the monitor enters power saving mode or when the monitor is turned off.</p>	<ul style="list-style-type: none"> <li>• When this function is set to “On”, make sure to complete any communication between connected USB devices and the PC before turning off the monitor. If storage devices, such as a USB flash drive, are connected, turning off the monitor before completing communication may result in data loss or damage to storage devices.</li> <li>• When this function is set to “On”, the monitor cannot be controlled using software, such as “ScreenManager Pro”, when the monitor is in power saving mode or when the monitor is turned off.</li> <li>• When this function is set to “Off”, power consumption is higher in power saving mode and when the monitor is turned off.</li> </ul>
On-Screen Logo	On Off	<p>When the monitor is turned on, the EIZO logo appears on the screen.</p> <p>When this function is set to “Off”, the EIZO logo does not appear.</p>	-
Key Lock	On Off	In order to prevent changes to settings, the operation switches on the front of the monitor can be locked.	<ul style="list-style-type: none"> <li>• The following operation is available even if the switches are locked: <ul style="list-style-type: none"> <li>- Turning the monitor on or off with the Power switch</li> </ul> </li> </ul>
Compatibility Mode	On Off	Depending on the PC and graphics board, the input signal may not be detected and the monitor may not recover from power saving mode. If this happens, set this function to “On”.	-

# Chapter 5 Troubleshooting


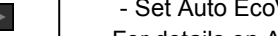

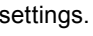


If a problem still remains after applying the suggested remedies, contact your local EIZO representative.

## 5-1. No picture

Problem	Possible cause and remedy
<b>1. No picture</b> <ul style="list-style-type: none"> <li>Power indicator does not light up.</li> </ul>	<ul style="list-style-type: none"> <li>Check whether the power cord is connected properly.</li> <li>Turn the main power switch on.</li> <li>Touch .</li> <li>Turn off the main power, and then turn it on again a few minutes later.</li> </ul>
<ul style="list-style-type: none"> <li>Power indicator is lighting white.</li> </ul>	<ul style="list-style-type: none"> <li>Increase “Brightness”, “Contrast”, or “Gain” in the Setting menu (see <a href="#">“Color Adjustment” (page 23)</a>).</li> </ul>
<ul style="list-style-type: none"> <li>Power indicator is lighting orange.</li> </ul>	<ul style="list-style-type: none"> <li>Switch the input signal.</li> <li>Move the mouse or press any key on the keyboard.</li> <li>Check whether the PC is turned on.</li> <li>Depending on the PC and graphics board, the input signal may not be detected and the monitor may not recover from power saving mode. If the screen is not displayed by moving the mouse or pressing keys on the keyboard, perform the following procedure. This may resolve the problem.               <ol style="list-style-type: none"> <li>Touch  to turn off the monitor.</li> <li>While touching the leftmost switch, touch  for more than 2 seconds. The “Administrator Settings” menu appears.</li> <li>Select “Compatibility Mode”.</li> <li>Select “On”.</li> <li>Select “Apply” and then <b>  ENTER  </b>.</li> <li>Reboot the PC.</li> </ol> </li> <li>When the PC is connected via HDMI, try changing the “HDMI HPD Control” setting on the “Administrator Settings” menu to “On” (see <a href="#">“HDMI HPD Control” (page 34)</a>).</li> <li>When the EcoView Sense function is “On”, the monitor may have shifted to power saving mode. Come near to the monitor. If the screen is not displayed, move the mouse or press any key on the keyboard.</li> </ul>
<ul style="list-style-type: none"> <li>Power indicator is flashing orange.</li> </ul>	<ul style="list-style-type: none"> <li>This symptom may occur when the PC is connected to the DisplayPort connector. Use a signal cable recommended by us for the connection. Turn the monitor off and on.</li> </ul>


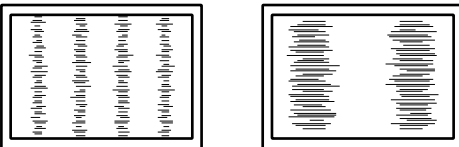

Problem	Possible cause and remedy
<p><b>2. The message below appears.</b></p> <ul style="list-style-type: none"><li>The message shows that the input signal is out of the specified frequency range.</li></ul> <p>Example:</p> 	<p>This message appears when the signal is not input correctly even though the monitor is functioning properly.</p> <ul style="list-style-type: none"><li>Check whether the PC is configured to meet the resolution and vertical scan frequency requirements of the monitor (see <a href="#">“1-3. Supported Resolutions” (page 11)</a>).</li><li>Reboot the PC.</li><li>Select an appropriate setting using the graphics board’s utility. Refer to the User’s Manual of the graphics board for details.</li></ul>

## 5-2. Imaging problems (for both digital and analog)

Problem	Possible cause and remedy
<p><b>1. The screen is too bright or too dark.</b></p>	<ul style="list-style-type: none"> <li>Use “Brightness” or “Contrast” in the Setting menu to adjust it (see <a href="#">“Color Adjustment” (page 23)</a>). (The LCD monitor backlight has a limited life span. When the screen becomes dark or begins to flicker, contact your local EIZO representative.)</li> <li>If the screen is too bright, try changing the Auto EcoView setting to “On”. The monitor detects the ambient brightness to adjust the screen brightness automatically (see <a href="#">“Auto EcoView” (page 18)</a>).</li> </ul>
<p><b>2. “Brightness” cannot be adjusted</b></p> <ul style="list-style-type: none"> <li>Cannot increase/decrease setting value (“◀” or “▶” is displayed in gray) <ul style="list-style-type: none"> <li>“Brightness” adjustment menu via  operation switch</li> <li></li> <li>“Brightness” adjustment menu in color adjustment</li> <li></li> </ul> </li> <li>Cannot increase/decrease setting value (“◀” and “▶” are displayed in gray) <ul style="list-style-type: none"> <li>“Brightness” adjustment menu via  operation switch</li> <li></li> <li>“Brightness” adjustment menu in color adjustment</li> <li></li> </ul> </li> </ul>	<p>When Auto EcoView is set to “On”, “Brightness” may not be adjustable due to the advanced settings of Auto EcoView.</p> <ul style="list-style-type: none"> <li>The bright adjustment range of the Auto EcoView function can be limited to ensure that the screen is neither too bright nor too dark. When the adjustment range is limited, values outside the range cannot be set. If you want to set a value outside the range, try changing the following settings. <ul style="list-style-type: none"> <li>Change the maximum and minimum values for “Brightness” in the Auto EcoView advanced settings.</li> <li>Set Auto EcoView to “Off”.</li> </ul> For details on Auto EcoView settings, see <a href="#">“Auto EcoView” (page 18)</a>. </li> <li>Brightness adjustment may not be possible when the installation environment of the monitor is excessively bright or dark. In this case, try changing the following settings. <ul style="list-style-type: none"> <li>Change the maximum and minimum values for “Ambient Light” in the Auto EcoView advanced settings.</li> <li>Set Auto EcoView to “Off”.</li> </ul> For details on Auto EcoView settings, see <a href="#">“Auto EcoView” (page 18)</a>. </li> </ul>
<p><b>3. Text is blurred</b></p>	<ul style="list-style-type: none"> <li>Check whether the PC is configured to meet the resolution and vertical scan frequency requirements of the monitor (see <a href="#">“1-3. Supported Resolutions” (page 11)</a>).</li> <li>When an image is displayed with a resolution other than recommended, text or lines in the displayed image may blur. In this case, try adjusting “Sharpness” in the Setting menu (see <a href="#">“Sharpness” (page 27)</a>).</li> </ul>
<p><b>4. Afterimages appear</b></p>	<ul style="list-style-type: none"> <li>Afterimages are particular to LCD monitors. Avoid displaying the same image for a long time.</li> <li>Use the screen saver or power saving function to avoid displaying the same image for extended periods of time.</li> </ul>

Problem	Possible cause and remedy
5. Green / red / blue / white dots or dark dots remain on the screen.	<ul style="list-style-type: none"> <li>This is due to LCD panel characteristics and not a malfunction.</li> </ul>
6. Interference patterns or pressure marks remain on the screen.	<ul style="list-style-type: none"> <li>Leave the monitor with a white or black screen. The symptom may disappear.</li> </ul>
7. Noise appears on the screen.	<ul style="list-style-type: none"> <li>In the Setting menu, set "Overdrive" to "Off" (see <a href="#">"Overdrive" (page 25)</a>).</li> <li>When inputting HDCP system signals, normal images may not be displayed immediately.</li> </ul>
8. (When using DisplayPort signal input) Position of windows and icons is shifted when turning power off/on.	<ul style="list-style-type: none"> <li>Turn the setting "On" for "DP HPD Control" on the "Administrator Settings" menu (see <a href="#">"DP HPD Control" (page 34)</a>).</li> </ul>

### 5-3. Imaging problems (for analog only)

Problem	Possible cause and remedy
1. Display position is incorrect. 	<ul style="list-style-type: none"> <li>Use "Position" in the Setting menu to correct the image position (see <a href="#">"Hor. Position" (page 29)</a>, <a href="#">"Ver. Position" (page 29)</a>).</li> <li>If the problem persists, use the graphics board's utility if available to change the display position.</li> </ul>
2. Vertical bars appear on the screen or a part of the image is flickering. 	<ul style="list-style-type: none"> <li>Use "Clock" in the Setting menu to adjust it (see <a href="#">"Clock" (page 29)</a>).</li> </ul>
3. Whole screen is flickering or blurring. 	<ul style="list-style-type: none"> <li>Use "Phase" in the Setting menu to adjust it (see <a href="#">"Phase" (page 29)</a>).</li> </ul>

## 5-4. Other problems

Problem	Possible cause and remedy
1. The Setting menu does not appear.	<ul style="list-style-type: none"> <li>• Check whether the switch operation lock function is active (see <a href="#">“Key Lock” (page 35)</a>).</li> </ul>
2. No audio output.	<ul style="list-style-type: none"> <li>• Check whether the stereo mini jack cable is connected properly.</li> <li>• Check whether volume is set to 0.</li> <li>• Check the PC and audio playback software to see whether they are configured correctly.</li> <li>• Check the “Source” setting when using DisplayPort input or HDMI input (see <a href="#">“Sound Source” (page 29)</a>).</li> </ul>
3. (When using EcoView Sense) The screen does not turn off after moving away from the monitor or the screen does not turn on when approaching the monitor.	<ul style="list-style-type: none"> <li>• Check the installation environment of the monitor. The presence sensor may not work correctly in the following environments. <ul style="list-style-type: none"> <li>- The monitor is located in a place affected by wind.</li> <li>- There is a heat emitting device near the monitor.</li> <li>- There is an obstacle in front of the sensor.</li> </ul> </li> <li>• Check whether there sensor is dirty. Clean the sensor with a soft cloth.</li> <li>• Check whether you are straight in front of the monitor. The EcoView Sense function is activated when the sensor on the front of the monitor detects the movement of heat.</li> <li>• In high temperature conditions, the monitor may not recover from power saving mode. If the screen is not displayed even after moving the mouse or pressing any key on the keyboard, turn the monitor off and on using its power switch. When the screen is displayed, increase the detection sensitivity value (see <a href="#">“EcoView Sense” (page 19)</a>).</li> </ul>
4. USB devices connected to the monitor do not work.	<ul style="list-style-type: none"> <li>• Check whether the USB cable is connected correctly (see <a href="#">“6-5. Making Use of USB (Universal Serial Bus)” (page 49)</a>).</li> <li>• Try changing to a different USB port. If the PC or peripheral devices work correctly by changing the USB port, contact your local EIZO representative. (Refer to the manual of the PC for details.)</li> <li>• Reboot the PC.</li> <li>• If the peripheral devices work correctly when the PC and peripheral devices are connected directly, contact your local EIZO representative.</li> <li>• Check whether the PC and OS are USB compliant. (For USB compliance of the respective devices, consult their manufacturers.)</li> <li>• Check the PC’s BIOS setting for USB when using Windows. (Refer to the manual of the PC for details.)</li> </ul>



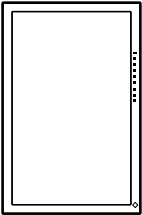
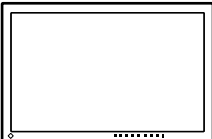
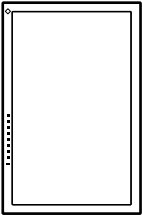
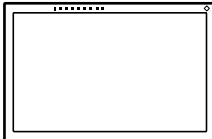
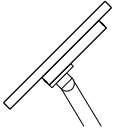
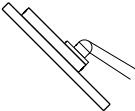
## Chapter 6 Reference

### 6-1. Attaching the Optional Arm

An optional arm (or an optional stand) can be attached by removing the stand section. Please refer to our web site for the corresponding optional arm (or optional stand). [www.eizoglobal.com](http://www.eizoglobal.com)

#### Attention

- When attaching an arm or stand, follow the instructions of the respective User's Manual.
- When using another manufacturer's arm or stand, confirm the following in advance and select one conforming to the VESA standard. Use the screws securing the unit and the stand.
  - Clearance between screw holes: 100 mm × 100 mm
  - VESA mount of the arm or stand, external dimensions: 122 mm x 122 mm or less
  - Plate thickness: 2.6 mm
  - Strong enough to support weight of the monitor unit (excluding the stand) and attachments such as cables.
- When attaching an arm or stand, the installable orientations and movement range (tilt angle) are as follows:

Orientation				 *1
Movement range (tilt angle)	 Up: 45°		 Down: 45°	

\*1 When installed in this orientation, periodically clean the area around the power connector. Dust, water, or oil adhered to this area may result in fire.

- Connect the cables after attaching an arm or stand.
- Do not move the removed stand up and down. Doing so may result in injury or device damage.
- The monitor, arm, and stand are heavy. Dropping them may result in injury or equipment damage.

### Attachment procedure

**1. Lay the LCD monitor on a soft cloth spread over a stable and flat surface with the panel surface facing down.**

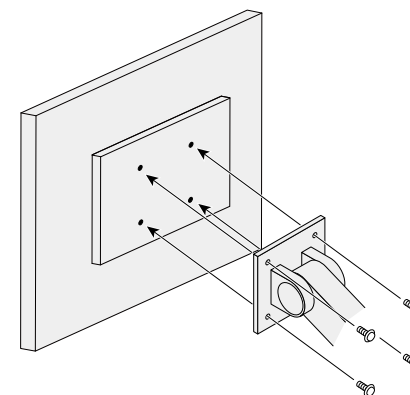
**2. Remove the stand.**

Prepare a screwdriver.

Use the screwdriver to loosen the screws (four) that secure the unit to the stand.

**3. Attach the arm or stand to the monitor.**

Secure the monitor to the arm or stand using the screws specified in the User's Manual of the arm or stand.



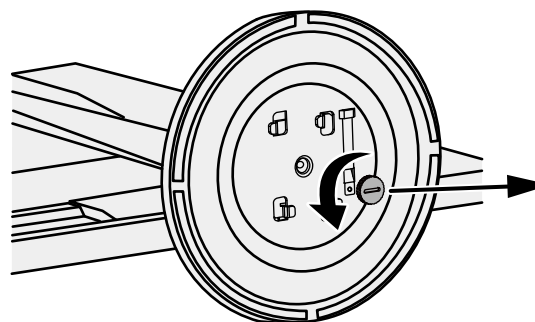
## 6-2. Detaching/Attaching Stand Base

### Detachment procedure

The stand base that was attached during setup can be detached using the following procedures.

**1. Lay the LCD monitor on a soft cloth spread over on a stable surface with the panel surface facing down.**

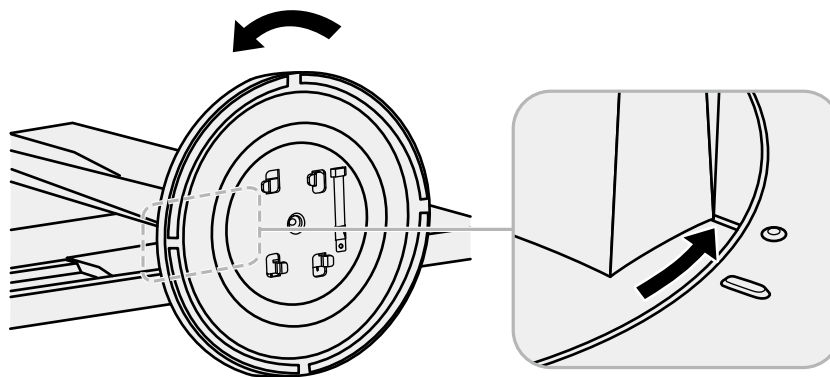
**2. Turn the fixing screw on the stand base to detach it.**



#### Note

- The fixing screw can be removed by hand. If the fixing screw is too tight, use a coin or flathead screwdriver.

**3. Turn the stand base in the counterclockwise direction to detach it.**



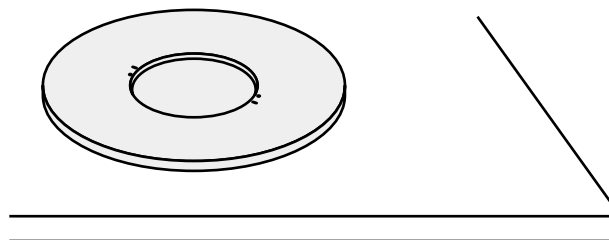
**Note**

- Reattach the fixing screw onto the stand base for when the stand base is used again.

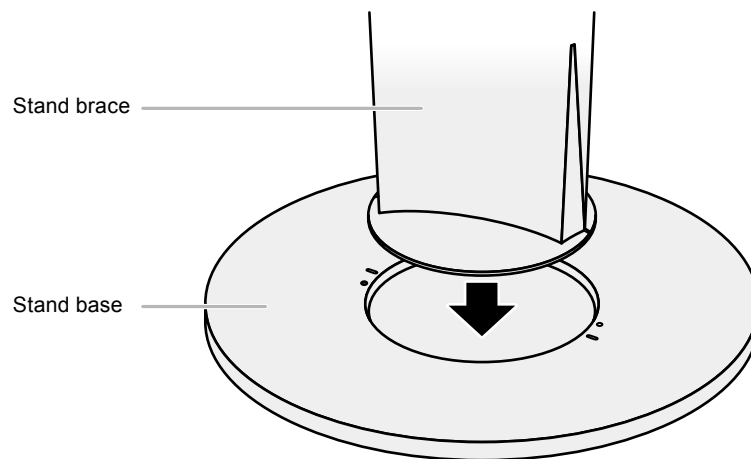
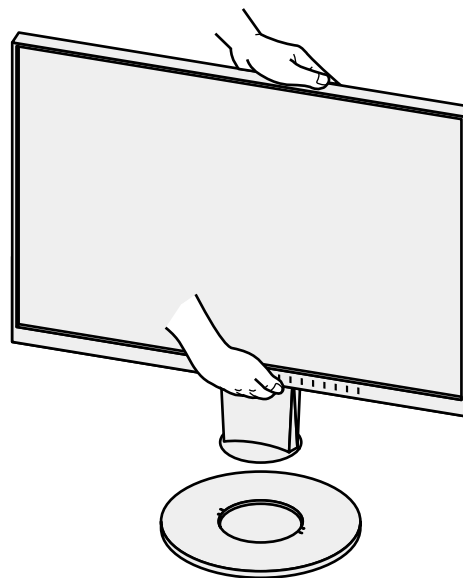
**Attachment procedure**

The once removed the stand base can be attached to the monitor again with the following procedures.

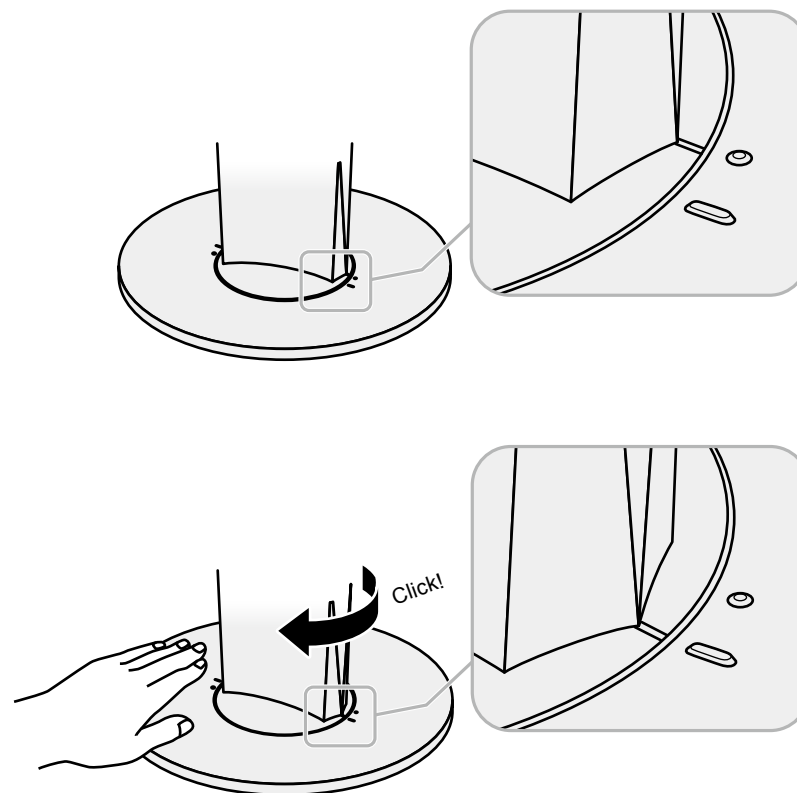
- 1. Check that the fixing screw is firmly attached to the bottom of the stand base.**
- 2. Place the stand base on a stable surface.**



**3. Insert the stand brace into the stand base.**



**4. Turn the stand brace in the clockwise direction until it clicks.**

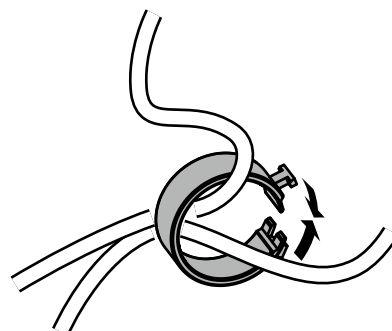


## 6-3. Attaching/Detaching the Cable Holder

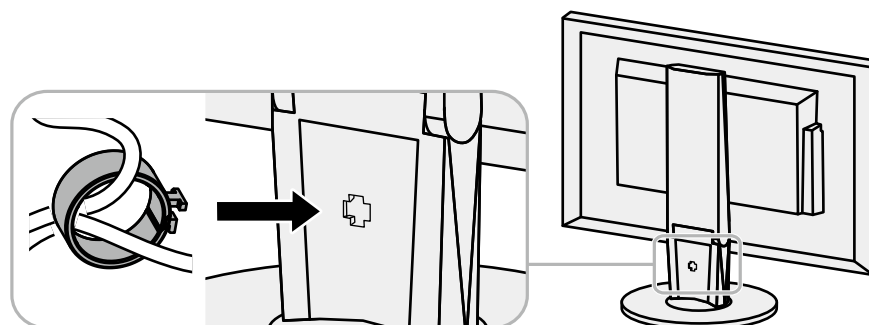
A cable holder is supplied with this product. Use the cable holder to organize the cables connected to the monitor.

### Attachment procedure

1. Pass the cables through the cable holder.
2. Close the opening in the cable holder.

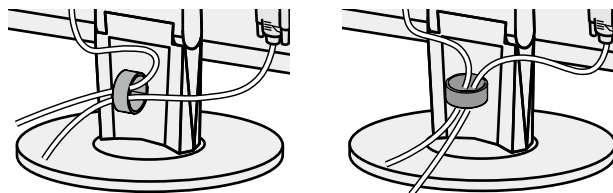


3. While holding the cable holder closed, attach it onto the stand.

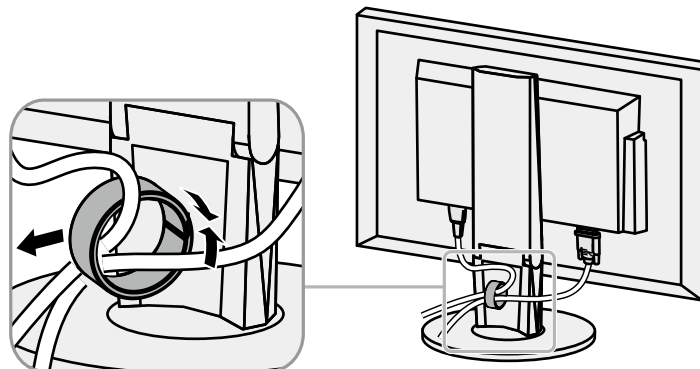


**Note**

- The cable holder can be inserted either perpendicular or parallel to the stand. Change the direction of the cable holder according to the condition of the cables.

**Detachment procedure**

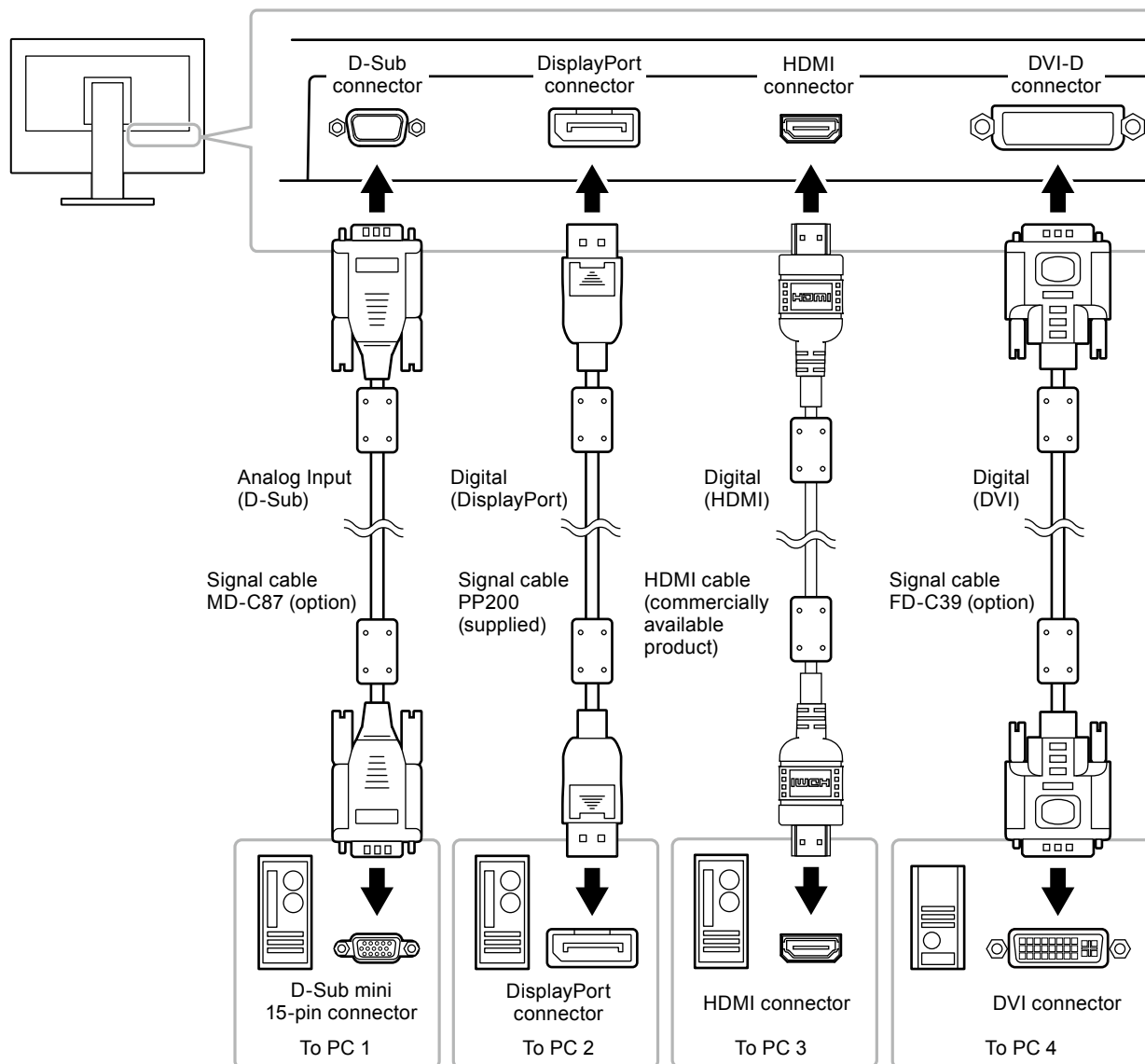
- 1. Close the opening in the cable holder.**
- 2. While holding the cable holder closed, remove it from the stand.**



## 6-4. Connecting Multiple PCs

This product can be connected to multiple PCs and allows you to switch between the connections for display.

### Connection examples



### Note

- The input signal changes each time the **INPUT** operation switch on the front of the monitor is touched. When the signal is switched, the active input port name appears at the top right corner of the screen.
- This product automatically recognizes the connector through which PC signals are input and displays images on the screen accordingly. For details, see [“Auto Input Detection” \(page 34\)](#).



## 6-5. Making Use of USB (Universal Serial Bus)

This monitor is equipped with a USB hub. It functions as a USB hub when connected to a USB-compatible PC, allowing the connection of peripheral USB devices.

### Note

- This product supports USB 3.0. When connecting to peripheral devices that support USB 3.0, high-speed data communication is possible (however, only when the USB cable used to connect the PC and peripheral device is USB 3.0 compliant).

### ● Required System Environment

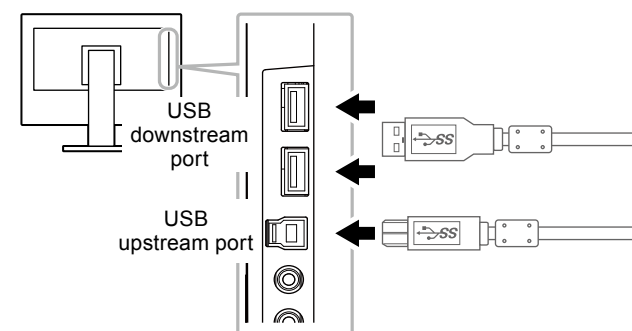
- A PC equipped with a USB port
- Windows 8.1 / Windows 8 / Windows 7 / Windows Vista, Mac OS X 10.2 or later, Mac OS 9.2.2
- EIZO USB cable (UU200SS (USB 3.0))

### Attention

- This monitor may not work depending on the PC, OS, or peripheral devices to be used. For USB compatibility of peripheral devices, contact their manufacturers.
- When the monitor is in power saving mode, devices connected to the USB downstream port will still work. Therefore, power consumption of the monitor varies with connected devices even in power saving mode.
- When the main power of the monitor is off, a device connected to the USB downstream port will not operate.

### ● Connection Procedure (Setup of USB Function)

1. Connect the monitor first to a PC using the signal cable, and start the PC.
2. Connect the USB cable between the USB downstream port of the PC and the USB upstream port of the monitor.  
The USB hub function is set up automatically upon connection of the USB cable.
3. Connect a peripheral USB device to the USB downstream port of the monitor.



## 6-6. Specifications

EV2450

LCD Panel	Type	IPS (Anti-Glare)
	Backlight	LED
	Size	60 cm (23.8 inch) (60.4 cm diagonal)
	Native Resolution	1920 dots × 1080 lines
	Display Size (H × V)	527.04 mm × 296.46 mm
	Pixel Pitch	0.2745 mm
	Display Colors	8-bit colors: 16.77 million colors
	Viewing Angle (H / V, typical)	178° / 178°
	Response Time (typical)	Gray-to-gray: 14 ms (overdrive setting: Off) 5 ms (overdrive setting: Enhanced)
Video Signals	Input Terminals	DisplayPort (HDCP) × 1, HDMI TypeA (HDCP) <sup>*1</sup> × 1, DVI-D (HDCP) × 1, and D-Sub mini 15-pin × 1
	Digital Scanning Frequency (H / V)	31 kHz to 68 kHz (DisplayPort, DVI), 15 kHz to 68 kHz (HDMI) / 59 Hz to 61 Hz (DisplayPort, DVI), 49 Hz to 61 Hz (HDMI) (VGA TEXT: 69 Hz to 71 Hz)
	Analog Scanning Frequency (H / V)	31 kHz to 81 kHz / 55 Hz to 76 Hz
	Synchronization Signal	Separate
	Max. Dot Clock	148.5 MHz
USB	Port	Upstream port × 1, downstream port × 2
	Standard	USB Specification Revision 3.0
	Communication Speed	5 Gbps (super), 480 Mbps (high), 12 Mbps (full), 1.5 Mbps (low)
	Supply Current	Downstream: Max. 900 mA per port
Audio	Audio Input Format	DisplayPort: 2ch linear PCM (32 kHz / 44.1 kHz / 48 kHz / 88.2 kHz / 96 kHz) HDMI: 2ch linear PCM (32 kHz / 44.1 kHz / 48 kHz)
	Speakers	1 W + 1 W
	Headphones	2 mW + 2 mW (32 Ω)
	Input Terminals	Line: Stereo mini jack × 1
		DisplayPort × 1, HDMI TypeA × 1 (shared with video signal)
	Output Terminals	Headphones: Stereo mini jack × 1

\*1 HDMI CEC (or mutual control) is not supported.

Power	Input	100 - 120 VAC $\pm$ 10 %, 50 / 60 Hz 0.80 A 200 - 240 VAC $\pm$ 10 %, 50 / 60 Hz 0.50 A
	Maximum Power Consumption	44 W or less
	Power Save Mode	0.3 W or less (no USB device connected, default settings)
	Standby Mode	0.3 W or less (no USB device connected, default settings)
Physical Specifications	Dimensions	Min. height: 537.6 mm $\times$ 335.1 mm $\times$ 278.3 mm (W $\times$ H $\times$ D) (Tilt: 35°) Max. height: 537.6 mm $\times$ 473.5 mm $\times$ 233 mm (W $\times$ H $\times$ D) (Tilt: 0°)
	Dimensions (Without Stand)	537.6 mm $\times$ 317.6 mm $\times$ 47.9 mm (W $\times$ H $\times$ D)
	Net Weight	Approx. 5.8 kg
	Net Weight (Without Stand)	Approx. 3.4 kg
	Height Adjustment Range	114.7 mm (Tilt: 35°) / 140 mm (Tilt: 0°)
	Tilt	Up 35°, down 5°
	Swivel	344°
Operating Environmental Requirements	Vertical Rotation	Left 90°, right 90°
	Temperature	5°C to 35°C (41°F to 95°F)
	Humidity	20% to 80% R.H. (no condensation)
Transportation/ Storage Environmental Requirements	Air Pressure	540 hPa to 1060 hPa
	Temperature	-20°C to 60°C (-4°F to 140°F)
	Humidity	10% to 90% R.H. (no condensation)
	Air Pressure	200 hPa to 1060 hPa

## EV2455

LCD Panel	Type	IPS (Anti-Glare)
	Backlight	LED
	Size	61 cm (24.1 inch) (61.1 cm diagonal)
	Native Resolution	1920 dots × 1200 lines
	Display Size (H × V)	518.4 mm × 324.0 mm
	Pixel Pitch	0.27 mm
	Display Colors	8-bit colors: 16.77 million colors
	Viewing Angle (H / V, typical)	178° / 178°
	Response Time (typical)	Gray-to-gray: 14 ms (overdrive setting: Off) 5 ms (overdrive setting: Enhanced)
Video Signals	Input Terminals	DisplayPort (HDCP) × 1, HDMI TypeA (HDCP) <sup>*1</sup> × 1, DVI-D (HDCP) × 1, and D-Sub mini 15-pin × 1
	Digital Scanning Frequency (H / V)	31 kHz to 76kHz (DisplayPort, DVI), 15 kHz to 76kHz (HDMI) / 59 Hz to 61 Hz (DisplayPort, DVI), 49 Hz to 61 Hz (HDMI) (VGA TEXT: 69 Hz to 71 Hz)
	Analog Scanning Frequency (H / V)	31 kHz to 81 kHz / 55 Hz to 76 Hz
	Synchronization Signal	Separate
	Max. Dot Clock	162 MHz
USB	Port	Upstream port × 1, downstream port × 2
	Standard	USB Specification Revision 3.0
	Communication Speed	5 Gbps (super), 480 Mbps (high), 12 Mbps (full), 1.5 Mbps (low)
	Supply Current	Downstream: Max. 900 mA per port
Audio	Audio Input Format	DisplayPort: 2ch linear PCM (32 kHz / 44.1 kHz / 48 kHz / 88.2 kHz / 96 kHz)
		HDMI: 2ch linear PCM (32 kHz / 44.1 kHz / 48 kHz)
	Speakers	1 W + 1 W
	Headphones	2 mW + 2 mW (32 Ω)
	Input Terminals	Line: Stereo mini jack × 1
		DisplayPort × 1, HDMI TypeA × 1 (shared with video signal)
Output Terminals	Headphones: Stereo mini jack × 1	

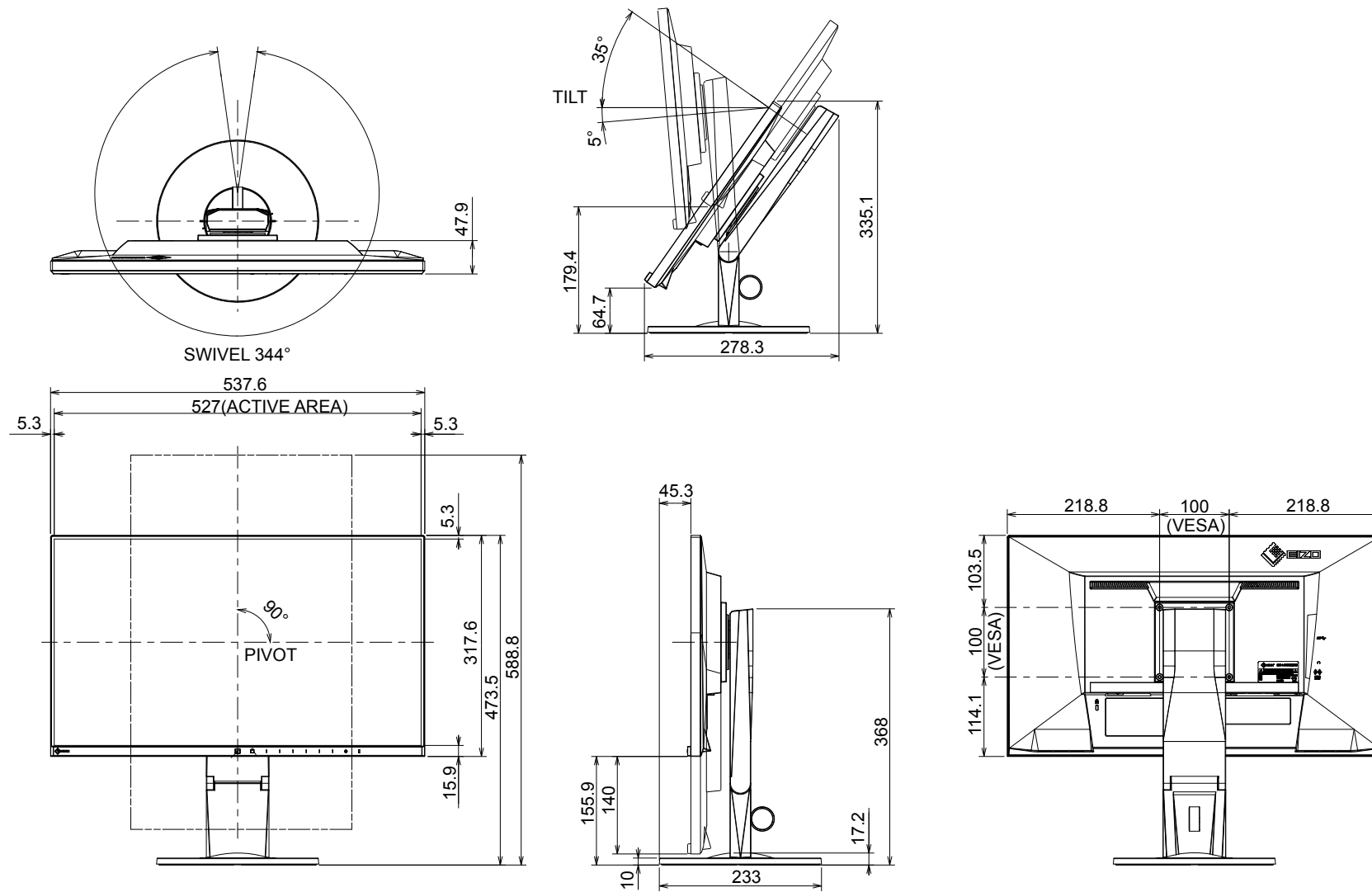
\*1 HDMI CEC (or mutual control) is not supported.

Power	Input	100 - 120 VAC $\pm$ 10 %, 50 / 60 Hz 0.85 A 200 - 240 VAC $\pm$ 10 %, 50 / 60 Hz 0.55 A
	Maximum Power Consumption	49 W or less
	Power Save Mode	0.3 W or less (no USB device connected, default settings)
	Standby Mode	0.3 W or less (no USB device connected, default settings)
Physical Specifications	Dimensions	Min. height: 530.8 mm $\times$ 347.0 mm $\times$ 286.4 mm (W $\times$ H $\times$ D) (Tilt: 35°) Max. height: 530.8 mm $\times$ 488.2 mm $\times$ 233.0 mm (W $\times$ H $\times$ D) (Tilt: 0°)
	Dimensions (Without Stand)	530.8 mm $\times$ 347.2 mm $\times$ 47.9 mm (W $\times$ H $\times$ D)
	Net Weight	Approx. 6.5 kg
	Net Weight (Without Stand)	Approx. 4.1 kg
	Height Adjustment Range	114.7 mm (Tilt: 35°) / 131 mm (Tilt: 0°)
	Tilt	Up 35°, down 5°
	Swivel	344°
Operating Environmental Requirements	Vertical Rotation	Left 90°, right 90°
	Temperature	5°C to 35°C (41°F to 95°F)
	Humidity	20% to 80% R.H. (no condensation)
Transportation/ Storage Environmental Requirements	Air Pressure	540 hPa to 1060 hPa
	Temperature	-20°C to 60°C (-4°F to 140°F)
	Humidity	10% to 90% R.H. (no condensation)
	Air Pressure	200 hPa to 1060 hPa

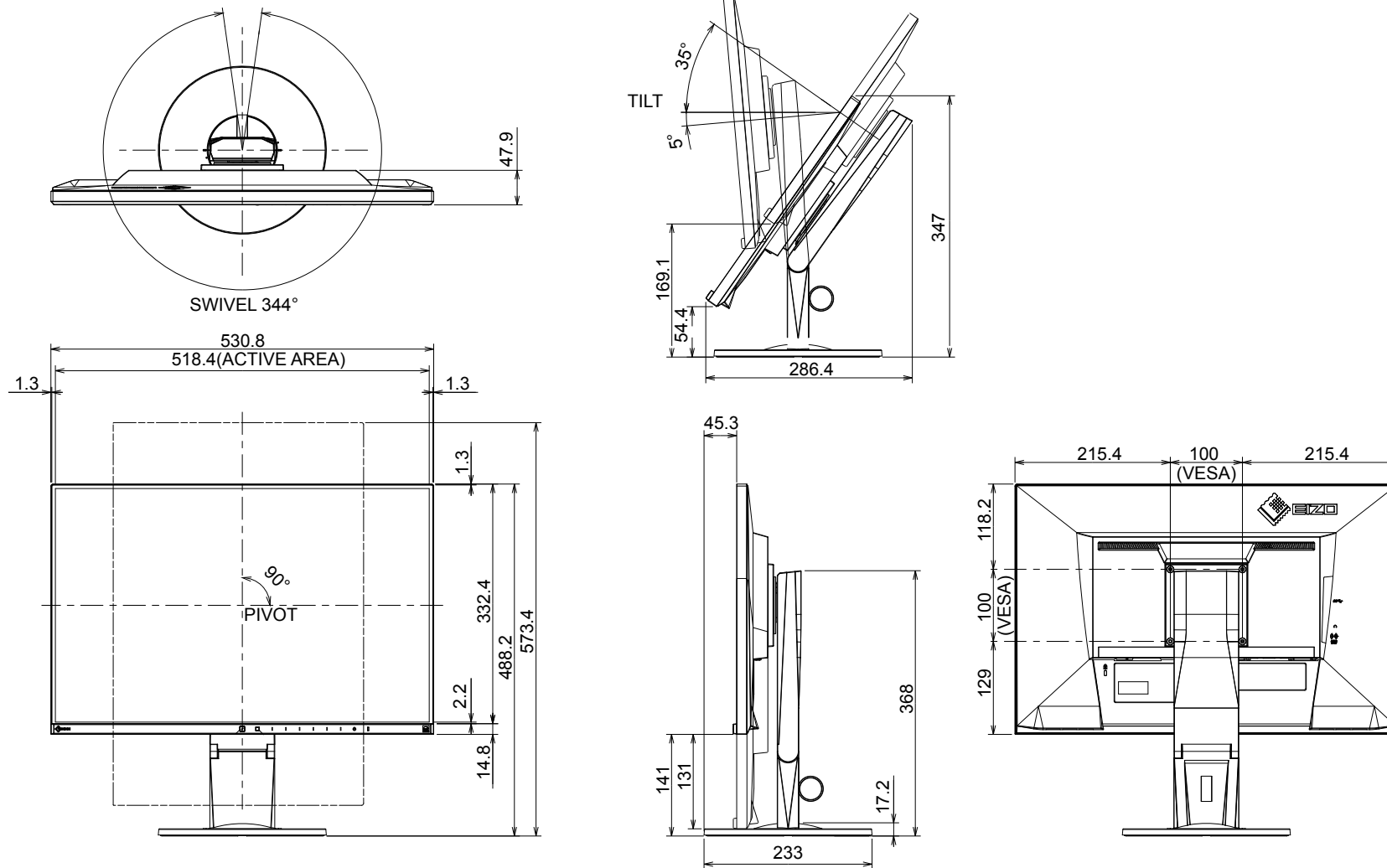
● Outside Dimensions

Unit: mm

EV2450



EV2455



## ● Main Default Settings

Auto EcoView	On	
EcoView Optimizer 2	On	
EcoView Sense	Off	
Color Mode	User1	
Picture Expansion	DisplayPort input	Aspect Ratio
	HDMI (PC signal) input	Aspect Ratio
	HDMI (video signal) input	Auto
	DVI-D input	Aspect Ratio
	D-Sub input	Aspect Ratio
Input Color Format	DisplayPort input	Auto
	HDMI (PC signal) input	RGB
	HDMI (video signal) input	Auto
Menu Position	Center	
Power Save	On	
Eco Timer	Off	
Language	English	
Power Indicator	On	
Auto Input Detection	On	
DP HPD Control	Off	
HDMI HPD Control	Off	
USB Power Save	On	
On-Screen Logo	On	
Key Lock	Off	
Compatibility Mode	Off	

## ● Accessories

Signal cable	<ul style="list-style-type: none"> <li>• MD-C87 (D-Sub-D-Sub)</li> <li>• FD-C39 (DVI-DVI)</li> </ul>
Cleaning Kit	EIZO "ScreenCleaner"

For the latest information about accessories, refer to our web site. [www.eizoglobal.com](http://www.eizoglobal.com)



## 6-7. Preset Timings

The following table lists the factory preset analog signal timings:

### Attention

- The display position may deviate depending on the connected PC, and may require screen adjustment using the Setting menu.
- If a signal other than those listed in the table is input, adjust the screen using the Setting menu. However, screen display may still be incorrect even after adjustment.
- When interlaced signals are used, the screen cannot be displayed correctly even after screen adjustment using the Setting menu.

EV2450

Resolution	Applicable Signals	Frequency		
		Dot Clock: MHz	Horizontal: kHz	Vertical: Hz
640 × 480	VGA/CEA-861	25.18	31.47	59.94
640 × 480	CEA-861	25.20	31.50	60.00
640 × 480	VESA	31.50	37.86	72.81
640 × 480	VESA	31.50	37.50	75.00
720 × 400	VGA TEXT	28.32	31.47	70.09
800 × 600	VESA	36.00	35.16	56.25
800 × 600	VESA	40.00	37.88	60.32
800 × 600	VESA	50.00	48.08	72.19
800 × 600	VESA	49.50	46.88	75.00
1024 × 768	VESA	65.00	48.36	60.00
1024 × 768	VESA	75.00	56.48	70.07
1024 × 768	VESA	78.75	60.02	75.03
1280 × 720	CEA-861	74.25	45.00	60.00
1280 × 800	VESA CVT	83.50	49.70	59.81
1280 × 1024	VESA	108.00	63.98	60.02
1280 × 1024	VESA	135.00	79.98	75.03
1600 × 900	VESA RB	108.00	60.00	60.00
1680 × 1050	VESA CVT	146.25	65.29	59.95
1680 × 1050	VESA CVT RB	119.00	64.67	59.88
1920 × 1080	CEA-861	148.50	67.50	60.00

EV2455

Resolution	Applicable Signals	Frequency		
		Dot Clock: MHz	Horizontal: kHz	Vertical: Hz
640 × 480	VGA/CEA-861	25.18	31.47	59.94
640 × 480	CEA-861	25.20	31.50	60.00
640 × 480	VESA	31.50	37.86	72.81
640 × 480	VESA	31.50	37.50	75.00
720 × 400	VGA TEXT	28.32	31.47	70.09
800 × 600	VESA	36.00	35.16	56.25
800 × 600	VESA	40.00	37.88	60.32
800 × 600	VESA	50.00	48.08	72.19
800 × 600	VESA	49.50	46.88	75.00
1024 × 768	VESA	65.00	48.36	60.00
1024 × 768	VESA	75.00	56.48	70.07
1024 × 768	VESA	78.75	60.02	75.03
1280 × 720	CEA-861	74.25	45.00	60.00
1280 × 800	VESA CVT	83.50	49.70	59.81
1280 × 1024	VESA	108.00	63.98	60.02
1280 × 1024	VESA	135.00	79.98	75.03
1600 × 900	VESA RB	108.00	60.00	60.00
1600 × 1200	VESA	162.00	75.00	60.00
1680 × 1050	VESA CVT	146.25	65.29	59.95
1680 × 1050	VESA CVT RB	119.00	64.67	59.88
1920 × 1080	CEA-861	148.50	67.50	60.00
1920 × 1200	VESA CVT	193.25	74.56	59.89
1920 × 1200	VESA CVT RB	154.00	74.04	59.95

## Chapter 7 Glossary

### **Clock**

The analog signal input monitor needs to reproduce a clock of the same frequency as the dot clock of the graphics system in use, when the analog signal is converted to a digital signal for image display. This is called clock adjustment. If the clock pulse is not set correctly, some vertical bars appear on the screen.

### **DICOM (Digital Imaging and Communication in Medicine)**

The DICOM standard was developed by the American College of Radiology and the National Electrical Manufacturer's Association of the USA. The DICOM compatible device connection enables to transfer the medical image and information. The DICOM, Part 14 document defines the digital, grayscale medical image display.

### **DisplayPort**

This is the interface standard for image signals standardized in accordance with VESA. It was developed with the aim of replacing the conventional DVI and analog interfaces, and it can transmit high resolution signals and sound signals, which DVI does not support. The standard size and mini size connectors have been standardized.

### **DVI (Digital Visual Interface)**

DVI is a digital interface standard. DVI allows direct transmission of the PC's digital data without loss. This adopts the TMDS transmission system and DVI connectors. There are two types of DVI connectors. One is a DVI-D connector for digital signal input only. The other is a DVI-I connector for both digital and analog signal inputs.

### **Gain**

This is used to adjust each color parameter for red, green and blue. An LCD monitor displays the color by the light passing through the panel color filter. Red, green and blue are the three primary colors. All the colors on the screen are displayed by combining these three colors. The color tone can be changed by adjusting the light intensity (volume) passing through each color's filter.

## **Gamma**

Generally, the monitor brightness varies nonlinearly with the input signal level, which is called “Gamma Characteristic”. A small gamma value produces a low-contrast image, while a large gamma value produces a highcontrast image.

## **HDCP (High-bandwidth Digital Content Protection)**

Digital signal coding system developed to copy-protect the digital contents, such as video, music, etc.

This helps to transmit the digital contents safely by coding the digital contents sent via the DVI or HDMI connector on the output side and decoding them on the input side.

Any digital contents cannot be reproduced if both of the equipments on the output and input sides are not applicable to HDCP system.

## **HDMI (High-Definition Multimedia Interface)**

HDMI is a digital interface standard, developed for consumer electrical appliance or AV device. This standard is issued on the basis of the DVI standard which is one of an interface specification for the connection between a PC and a monitor. The projected image, sound and control signal without compressed enable to be transmitted with one cable.

## **Overdrive**

This technology enhances response speed by increasing the potential difference at the time of motion of liquid-crystal pixels, and it is used for liquid-crystal TV sets and others in general. It provides clear-cut three-dimensional display with little afterimage, by improving response speed of the intermediate graduation range that frequently appears in moving images.

## **Phase**

Phase means the sampling timing to convert the analog input signal to a digital signal. Phase adjustment is made to adjust the timing. It is recommended that phase adjustment be made after the clock is adjusted correctly.

## **Range Adjustment**

Range adjustment controls the signal output levels to display every color gradation. It is recommended that range adjustment be made before color adjustment.

**Resolution**

The LCD panel consists of numerous pixels of specified size, which are illuminated to form images. This monitor consists of horizontal 1920 pixels and 1080 vertical pixels (EV2450), or horizontal 1920 pixels and 1200 vertical pixels (EV2455). At a resolution of 1920 × 1080 (EV2450) or 1920 × 1200 (EV2455), all pixels are illuminated as a full screen (1:1).

**sRGB (Standard RGB)**

International standard for color reproduction and color space among peripheral devices (such as monitors, printers, digital cameras, scanners). As a form of simple color matching for the Internet, colors can be displayed using tones close to those of the transmission and reception devices.

**Temperature**

Color temperature is a method to measure the white color tone, generally indicated in degrees Kelvin. The screen becomes reddish at a low temperature, and bluish at a high temperature, like the flame temperature.

5000 K: Slightly reddish white

6500 K: White referred to as daylight-balanced color

9300 K: Slightly bluish white

**TMDS (Transition Minimized Differential Signaling)**

A signal transmission system for digital interface.

# Appendix

## Trademark

The terms HDMI and HDMI High-Definition Multimedia Interface, and the HDMI Logo are trademarks or registered trademarks of HDMI Licensing, LLC in the United States and other countries.

The DisplayPort Compliance Logo and VESA are registered trademarks of the Video Electronics Standards Association.

The SuperSpeed USB Trident Logo is a registered trademark of USB Implementers Forum, Inc.



The USB Power Delivery Trident Logos are trademarks of USB Implementers Forum, Inc.



DICOM is the registered trademark of the National Electrical Manufacturers Association for its standards publications relating to digital communications of medical information.

Kensington and Microsaver are registered trademarks of ACCO Brands Corporation.

Thunderbolt is a trademark of Intel Corporation in the United States and/or other countries.

Microsoft and Windows are registered trademarks of Microsoft Corporation in the United States and other countries.

Adobe is a registered trademark of Adobe Systems Incorporated in the United States and other countries.

Apple, macOS, Mac OS, OS X, Macintosh and ColorSync are registered trademarks of Apple Inc.

EIZO, the EIZO Logo, ColorEdge, CuratOR, DuraVision, FlexScan, FORIS, RadiCS, RadiForce, RadiNET, Raptor and ScreenManager are registered trademarks of EIZO Corporation in Japan and other countries.

ColorEdge Tablet Controller, ColorNavigator, EcoView NET, EIZO EasyPIX, EIZO Monitor Configurator, EIZO ScreenSlicer, G-Ignition, i•Sound, Quick Color Match, RadiLight, Re/Vue, SafeGuard, Screen Administrator, Screen InStyle, ScreenCleaner and UniColor Pro are trademarks of EIZO Corporation.

All other company names, product names, and logos are trademarks or registered trademarks of their respective companies.

## License / Copyright

A round gothic bold bit map font designed by Ricoh is used for the characters displayed on this product.

---

## ENERGY STAR

---

As an ENERGY STAR Partner, EIZO Corporation has determined that this product meets the ENERGY STAR guidelines for energy efficiency.



## TCO Certified

---

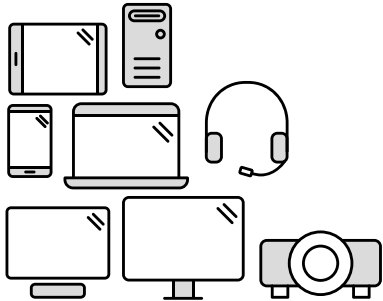
This product carries the TCO Certified designation (EcoView Optimizer 2: Off, Temperature: Off). TCO Certified is the leading independent sustainability certification for IT products.

For details, see the following pages.

A third-party certification according to ISO 14024



Toward sustainable IT products



## Say hello to a more sustainable product

IT products are associated with a wide range of sustainability risks throughout their life cycle. Human rights violations are common in the factories. Harmful substances are used both in products and their manufacture. Products can often have a short lifespan because of poor ergonomics, low quality and when they are not able to be repaired or upgraded.

**This product is a better choice.** It meets all the criteria in TCO Certified, the world's most comprehensive sustainability certification for IT products. Thank you for making a responsible product choice, that help drive progress towards a more sustainable future!

Criteria in TCO Certified have a life-cycle perspective and balance environmental and social responsibility. Conformity is verified by independent and approved verifiers that specialize in IT products, social responsibility or other sustainability issues. Verification is done both before and after the certificate is issued, covering the entire validity period. The process also includes ensuring that corrective actions are implemented in all cases of factory non-conformities. And last but not least, to make sure that the certification and independent verification is accurate, both TCO Certified and the verifiers are reviewed regularly.

### Want to know more?

Read information about TCO Certified, full criteria documents, news and updates at [tcocertified.com](https://www.tcocertified.com). On the website you'll also find our Product Finder, which presents a complete, searchable listing of certified products.



## FCC Declaration of Conformity

For U.S.A. , Canada, etc. (rated 100-120 Vac) Only

### FCC Declaration of Conformity

**We, the Responsible Party**

**EIZO Inc.**

**5710 Warland Drive, Cypress, CA 90630**

**Phone: (562) 431-5011**

**declare that the product**

**Trade name: EIZO**

**Model: FlexScan EV2450 / EV2455**

is in conformity with Part 15 of the FCC Rules. Operation of this product is subject to the following two conditions: (1) this device may not cause harmful interference, and (2) this device must accept any interference received, including interference that may cause undesired operation.

This equipment has been tested and found to comply with the limits for a Class B digital device, pursuant to Part 15 of the FCC Rules. These limits are designed to provide reasonable protection against harmful interference in a residential installation. This equipment generates, uses, and can radiate radio frequency energy and, if not installed and used in accordance with the instructions, may cause harmful interference to radio communications. However, there is no guarantee that interference will not occur in a particular installation. If this equipment does cause harmful interference to radio or television reception, which can be determined by turning the equipment off and on, the user is encouraged to try to correct the interference by one or more of the following measures.

- \* Reorient or relocate the receiving antenna.
- \* Increase the separation between the equipment and receiver.
- \* Connect the equipment into an outlet on a circuit different from that to which the receiver is connected.
- \* Consult the dealer or an experienced radio/TV technician for help.

Changes or modifications not expressly approved by the party responsible for compliance could void the user's authority to operate the equipment.

**Note**

Use the attached specified cable below or EIZO signal cable with this monitor so as to keep interference within the limits of a Class B digital device.

- AC Cord
- Shielded Signal Cable (enclosed)

**Canadian Notice**

This Class B digital apparatus complies with Canadian ICES-003.

Cet appareil numérique de la classe B est conforme à la norme NMB-003 du Canada.

## LIMITED WARRANTY

---

EIZO Corporation (hereinafter referred to as “**EIZO**”) and distributors authorized by EIZO (hereinafter referred to as the “**Distributors**”) warrant, subject to and in accordance with the terms of this limited warranty (hereinafter referred to as the “**Warranty**”), to the original purchaser (hereinafter referred to as the “**Original Purchaser**”) who purchased the product specified in this document (hereinafter referred to as the “**Product**”) from EIZO or Distributors, that EIZO and Distributors shall, at their sole discretion, either repair or replace the Product at no charge if the Original Purchaser becomes aware within the Warranty Period (defined below) that the Product malfunctions or is damaged in the course of normal use of the Product in accordance with the description in the instruction manual attached to the Product (hereinafter referred to as the “**User’s Manual**”).

The period of this Warranty is limited to (i) five (5) years from the date of purchase of the Product; or, limited to the expiration of (ii) 30,000 hours of its use of the Product (hereinafter referred to as the “**Warranty Period**”). EIZO and Distributors shall bear no liability or obligation with regard to the Product in relation to the Original Purchaser or any third parties other than as provided under this Warranty.

EIZO and Distributors will cease to hold or store any parts of the Product upon expiration of seven (7) years after the production of such parts is discontinued. In repairing the monitor, EIZO and Distributors will use renewal parts which comply with our QC standards.

The Warranty is valid only in the countries or territories where the Distributors are located. The Warranty does not restrict any legal rights of the Original Purchaser.

Notwithstanding any other provision of this Warranty, EIZO and Distributors shall have no obligation under this Warranty whatsoever in any of the cases as set forth below:

- (a) Any defect of the Product caused by freight damage, modification, alteration, abuse, misuse, accident, incorrect installation, disaster, faulty maintenance and/or improper repair by third party other than EIZO and Distributors;
- (b) Any incompatibility of the Product due to possible technical innovations and/or regulations;
- (c) Any deterioration of the sensor;
- (d) Any deterioration of display performance caused by the deterioration of expendable parts such as the LCD panel and/or backlight, etc. (e.g. changes in brightness, changes in brightness uniformity, changes in color, changes in color uniformity, defects in pixels including burnt pixels, etc.);
- (e) Any defect of the Product caused by external equipment;
- (f) Any defect of the Product on which the original serial number has been altered or removed;
- (g) Any normal deterioration of the product, particularly that of consumables, accessories, and/or attachments (e.g. buttons, rotating parts, cables, User’s Manual, etc.); and
- (h) Any deformation, discoloration, and/or warp of the exterior of the product including that of the surface of the LCD panel.

To obtain service under the Warranty, the Original Purchaser must deliver the Product, freight prepaid, in its original package or other adequate package affording an equal degree of protection, assuming the risk of damage and/or loss in transit, to the local Distributor. The Original Purchaser must present proof of purchase of the Product and the date of such purchase when requesting services under the Warranty.

The Warranty Period for any replaced and/or repaired product under this Warranty shall expire at the end of the original Warranty Period.

EIZO OR DISTRIBUTORS ARE NOT RESPONSIBLE FOR ANY DAMAGE TO, OR LOSS OF, DATA OR OTHER INFORMATION STORED IN ANY MEDIA OR ANY PART OF ANY PRODUCT RETURNED TO EIZO OR DISTRIBUTORS FOR REPAIR.

EIZO AND DISTRIBUTORS MAKE NO FURTHER WARRANTIES, EXPRESSED OR IMPLIED, WITH RESPECT TO THE PRODUCT AND ITS QUALITY, PERFORMANCE, MERCHANTABILITY OR FITNESS FOR ANY PARTICULAR USE. IN NO EVENT SHALL EIZO OR DISTRIBUTORS BE LIABLE FOR ANY INCIDENTAL, INDIRECT, SPECIAL, CONSEQUENTIAL OR OTHER DAMAGE WHATSOEVER (INCLUDING, WITHOUT LIMITATION, DAMAGES FOR LOSS OF PROFIT, BUSINESS INTERRUPTION, LOSS OF BUSINESS INFORMATION, OR ANY OTHER PECUNIARY LOSS) ARISING OUT OF THE USE OR INABILITY TO USE THE PRODUCT OR IN ANY CONNECTION WITH THE PRODUCT, WHETHER BASED ON CONTRACT, TORT, NEGLIGENCE, STRICT LIABILITY OR OTHERWISE, EVEN IF EIZO OR DISTRIBUTORS HAVE BEEN ADVISED OF THE POSSIBILITY OF SUCH DAMAGES. THIS EXCLUSION ALSO INCLUDES ANY LIABILITY WHICH MAY ARISE OUT OF THIRD PARTY CLAIMS AGAINST THE ORIGINAL PURCHASER. THE ESSENCE OF THIS PROVISION IS TO LIMIT THE POTENTIAL LIABILITY OF EIZO AND DISTRIBUTORS ARISING OUT OF THIS LIMITED WARRANTY AND/OR SALES.

---

## Recycling Information

---

### Recycling Information

This product, when disposed of, is supposed to be collected and recycled according to your country's legislation to reduce environmental burden. When you dispose of this product, please contact a distributor or an affiliate in your country.

The contact addressees are listed on the EIZO website below.

[www.eizoglobal.com](http://www.eizoglobal.com)

For recycling information for customers in Switzerland, please refer to the following website.

[www.swico.ch](http://www.swico.ch)

### Informationen zum Thema Recycling

Dieses Produkt muss gemäß den Vorschriften Ihres Landes zur Entlastung der Umwelt recyclet werden. Wenden Sie sich bei der Entsorgung dieses Produkts an einen Verteiler oder eine Tochtergesellschaft in Ihrem Land.

Die Adressen zur Kontaktaufnahme sind auf der unten angegebenen Website von EIZO aufgeführt.

[www.eizoglobal.com](http://www.eizoglobal.com)

Kunden in der Schweiz entnehmen Informationen zum Recycling der folgenden Website:

[www.swico.ch](http://www.swico.ch)

### Informations sur le recyclage

Ce produit doit être jeté aux points de collecte prévus à cet effet et recyclé conformément à la législation de votre pays, afin de réduire l'impact sur l'environnement.

Lorsque vous jetez ce produit, veuillez contacter un distributeur ou une société affiliée de votre pays.

Les adresses des distributeurs sont répertoriées sur le site Web EIZO ci-dessous.

[www.eizoglobal.com](http://www.eizoglobal.com)

Pour les clients en Suisse, veuillez consulter le site Web suivant afin d'obtenir des informations sur le recyclage.

[www.swico.ch](http://www.swico.ch)

### Información sobre reciclaje

Este producto debe desecharse y reciclarse según la legislación del país para reducir el impacto medioambiental. Cuando desee deshacerse de este producto, póngase en contacto con un distribuidor o una filial de su país.

Encontrará las direcciones de contacto en el sitio web de EIZO que se indica a continuación.

[www.eizoglobal.com](http://www.eizoglobal.com)

---

## Informazioni sul riciclaggio

Per lo smaltimento e il riciclaggio del presente prodotto, attenersi alle normative vigenti nel proprio paese per ridurre l'impatto ambientale. Per lo smaltimento, rivolgersi ad un distributore o un affiliato presenti nel proprio paese.

Gli indirizzi sono elencati nel sito Web EIZO riportato di seguito.

[www.eizoglobal.com](http://www.eizoglobal.com)

Per informazioni sul riciclaggio per i clienti in Svizzera, consultare il sito Web riportato di seguito.

[www.swico.ch](http://www.swico.ch)

## Återvinningsinformation

När denna produkt kasseras ska den hanteras och återvinnas enligt landets föreskrifter för att reducera miljöpåverkan. När du kasserar produkten ska du kontakta en distributör eller representant i ditt land.

Kontaktadresserna listas på EIZO-webbplatsen nedan.

[www.eizoglobal.com](http://www.eizoglobal.com)

## Πληροφορίες ανακύκλωσης

Το προϊόν αυτό, όταν απορρίπτεται, πρέπει να συλλέγεται και να ανακυκλώνεται σύμφωνα με τη νομοθεσία της χώρας σας έτσι ώστε να μην επιβαρύνει το περιβάλλον. Για να απορρίψετε το προϊόν, επικοινωνήστε με έναν αντιπρόσωπο ή μια θυγατρική εταιρεία στη χώρα σας.

Οι διευθύνσεις επικοινωνίας αναγράφονται στην τοποθεσία web της EIZO παρακάτω.

[www.eizoglobal.com](http://www.eizoglobal.com)

## Сведения по утилизации

По истечении срока службы данного продукта его следует принести на сборный пункт и утилизировать в соответствии с действующими предписаниями в вашей стране, чтобы уменьшить вредное воздействие на окружающую среду. Прежде чем выбросить данный продукт, обратитесь к дистрибьютору или в местное представительство компании в вашей стране.

Контактные адреса можно найти на веб-узле EIZO.

[www.eizoglobal.com](http://www.eizoglobal.com)

## Informatie over recycling

Wanneer u dit product wilt weggooien, moet het uit milieu-overwegingen worden verzameld en gerecycled volgens de betreffende wetgeving van uw land. Wanneer u dit product wilt weggooien, moet u contact opnemen met een distributeur of een partner in uw land.

De contactadressen worden vermeld op de volgende EIZO-website.

[www.eizoglobal.com](http://www.eizoglobal.com)

---

## Informação sobre reciclagem

Este produto, quando o deitar fora, deve ser recolhido e reciclado de acordo com a legislação do seu país para reduzir a poluição. Quando deitar fora este produto, contacte um distribuidor ou uma filial no seu país.

Os endereços de contacto estão listados no website do EIZO, abaixo.

[www.eizoglobal.com](http://www.eizoglobal.com)

## Oplysninger om genbrug

Dette produkt forventes ved bortskaffelse at blive indsamlet og genbrugt i overensstemmelse med lovgivningen i dit land for at reducere belastningen af miljøet. Når du bortskaffer denne produkt, skal du kontakte en distributør eller et tilknyttet selskab i dit land.

Adresserne på kontaktpersonerne er angivet på EIZO's websted nedenfor.

[www.eizoglobal.com](http://www.eizoglobal.com)

## Kierrätystä koskevia tietoja

Tuote tulee hävittää kierrättämällä maan lainsäädännön mukaisesti ympäristön kuormittumisen vähentämiseksi. Kun hävität tuotteen, ota yhteyttä jälleenmyyjään tai tytäryhtiöön maassasi.

Yhteystiedot löytyvät EIZOn Internet-sivustolta.

[www.eizoglobal.com](http://www.eizoglobal.com)

## Wykorzystanie surowców wtórnych

Ten produkt po zużyciu powinien być zbierany i przetwarzany zgodnie z krajowymi przepisami dotyczącymi ochrony środowiska. Wyrzucając ten produkt, należy skontaktować się z lokalnym dystrybutorem lub partnerem. Adresy kontaktowe można znaleźć we wskazanej poniżej witrynie internetowej firmy EIZO.

[www.eizoglobal.com](http://www.eizoglobal.com)

## Informace o recyklaci

Při likvidaci produktu musí být produkt vyzvednut a recyklován podle zákonů příslušné země, aby nedocházelo k zatěžování životního prostředí. Zbavujete-li se produktu, kontaktujte distributora nebo pobočku ve své zemi. Kontaktní adresy jsou uvedeny na následující webové stránce společnosti EIZO.

[www.eizoglobal.com](http://www.eizoglobal.com)

## Ringlussevõtu alane teave

Keskkonnakoormuse vähendamiseks tuleks kasutatud tooted kokku koguda ja võtta ringlusse vastavalt teie riigi seadustele. Kui kõrvaldate käesoleva toote, võtke palun ühendust turustaja või filiaaliga oma riigis.

Kontaktisikud on toodud EIZO veebilehel järgmisel aadressil:

[www.eizoglobal.com](http://www.eizoglobal.com)

## Újrahasznosítási információ

Jelen terméket, amikor eldobjuk, az illető ország törvényei alapján kell összegyűjteni és újrahasznosítani, hogy csökkentjük a környezet terhelését. Amikor ezt a terméket eldobja, kérjük lépjen kapcsolatba egy országon belüli forgalmazóval vagy társvállalkozással.

A kapcsolat címei az EIZO alábbi weboldalán található felsorolva:

[www.eizoglobal.com](http://www.eizoglobal.com)

## Podatki o recikliranju

Ob koncu uporabe odslužen izdelek izročite na zbirno mesto za recikliranje v skladu z okoljevarstveno zakonodajo vaše države. Prosimo, da se pri odstranjevanju izdelka obrnete na lokalnega distributerja ali podružnico.

Kontaktne naslovi so objavljeni na spodaj navedenih spletnih straneh EIZO:

[www.eizoglobal.com](http://www.eizoglobal.com)

## Informácie o recyklácii

Pri likvidácii musí byť tento výrobok recyklovaný v súlade s legislatívou vašej krajiny, aby sa znížilo zaťaženie životného prostredia. Keď sa chcete zbaviť tohto výrobku, kontaktujte prosím distribútora alebo pobočku vo vašej krajine.

Zoznam kontaktných adries je uvedený na nasledovnej webovej stránke firmy EIZO:

[www.eizoglobal.com](http://www.eizoglobal.com)

## Pārstrādes informācija

Utilizējot šo produktu, tā savākšana un pārstrāde veicama atbilstoši jūsu valsts likumdošanas prasībām attiecībā uz slodzes uz vidi samazināšanu. Lai veiktu šī produkta utilizāciju, sazinieties ar izplatītāju vai pārstāvniecību jūsu valstī.

Kontaktadresses ir norādītas zemāk minētajā EIZO tīmekļa vietnē.

[www.eizoglobal.com](http://www.eizoglobal.com)

## Informacija apie gražinamąjį perdirbimą

Šalinant (išmetant) šiuos gaminius juos reikia surinkti ir perdirbti gražinamuoju būdu pagal jūsų šalies teisės aktus, siekiant sumažinti aplinkos teršimą. Kai reikia išmesti šį gaminį, kreipkitės į jūsų šalyje veikiančią gaminių pardavimo atstovybę arba jos filialą.

Kontaktiniai adresatai nurodyti EIZO interneto svetainėje.

[www.eizoglobal.com](http://www.eizoglobal.com)

## Информация относительно рециклиране

При изхвърлянето на този продукт се предлага събирането и рециклирането му съобразно законите на вашата страна за да се намали замърсяването на околната среда. Когато искате да се освободите от този продукт, моля свържете се с търговския му представител или със съответните органи отговарящи за това във вашата страна.

Данните за връзка с нас са описани на следния Интернет сайт на EIZO:

[www.eizoglobal.com](http://www.eizoglobal.com)

## Informație referitoare la reciclare

Acest produs, când debarasat, trebuie colectat și reciclat conform legislației țării respective ca să reducem sarcina mediului. Când se debarasează de acest produs, vă rugăm să contactați un distribuitor sau un afiliat al țării respective.

Adresele de contact le găsiți pe pagina de web al EIZO:

[www.eizoglobal.com](http://www.eizoglobal.com)

## معلومات عن إعادة التدوير

عند التخلص من هذا المنتج، من الضروري تجميعه وإعادة تدويره وفقاً للقوانين المتبعة في بلدك لتقليل العبء المسلط على البيئة. عندما تتخلص من هذا المنتج، يرجى الاتصال بموزع أو طرف منتسب إليه في بلدك. عناوين الاتصال مدرجة في موقع ايزو EIZO ادناه على شبكة الانترنت.

[www.eizoglobal.com](http://www.eizoglobal.com)

## Geri Dönüşüm Bilgisi

Bu ürünün, atılacağı zaman, ülkenizin çevre kirliliğinin azaltılması konusundaki mevzuatına göre toplanması ve yeniden değerlendirilmesi gerekmektedir. Ürünü atacağınız zaman lütfen ülkenizdeki bir distribütör veya ilgili kuruluşla temasa geçiniz.

İrtibat adresleri aşağıdaki EIZO web sitesinde verilmiştir.

[www.eizoglobal.com](http://www.eizoglobal.com)



